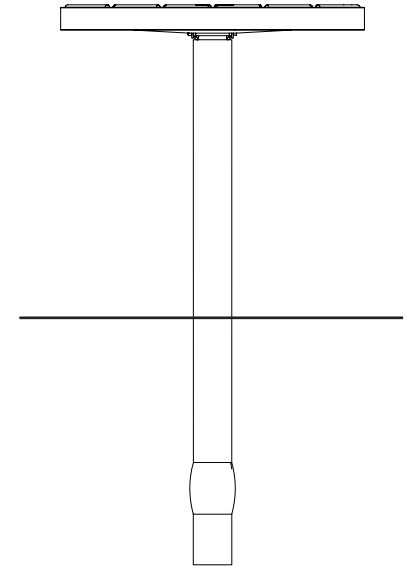






CC



1	SW92014		1 x Ø600 x 66	11.24 kg
2	SW42888		1 x 1065 x 142 x 75	4.30 kg
3	8008391		2 x Screw, ISO4014-M10x90-8.8	0.067 kg
4	8008796		2 x Nut, Fujilok-M10-8-RingA2	0.011 kg

