


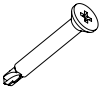



1	43-07232		12x Ø6 16/7 x 3 mm	0.00kg
2	SW62932		2x Unimini beam	2.4kg
3	SW90015		1x HPL connector deck	18.4kg
4	8008708		6x Screw, drilling Wingpi-as-ST5.0x37-St	0.006kg
5	8008651		12x Screw, wood, TKFT-6x40-8.8	0.01kg

