










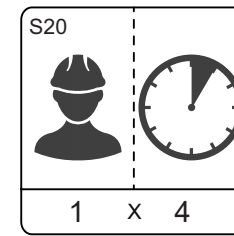
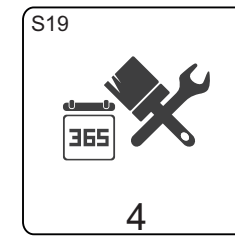
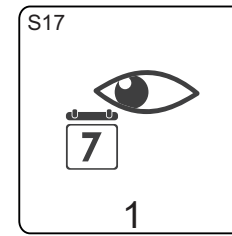
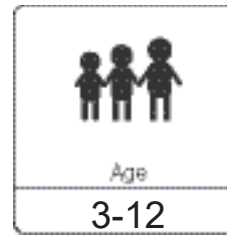
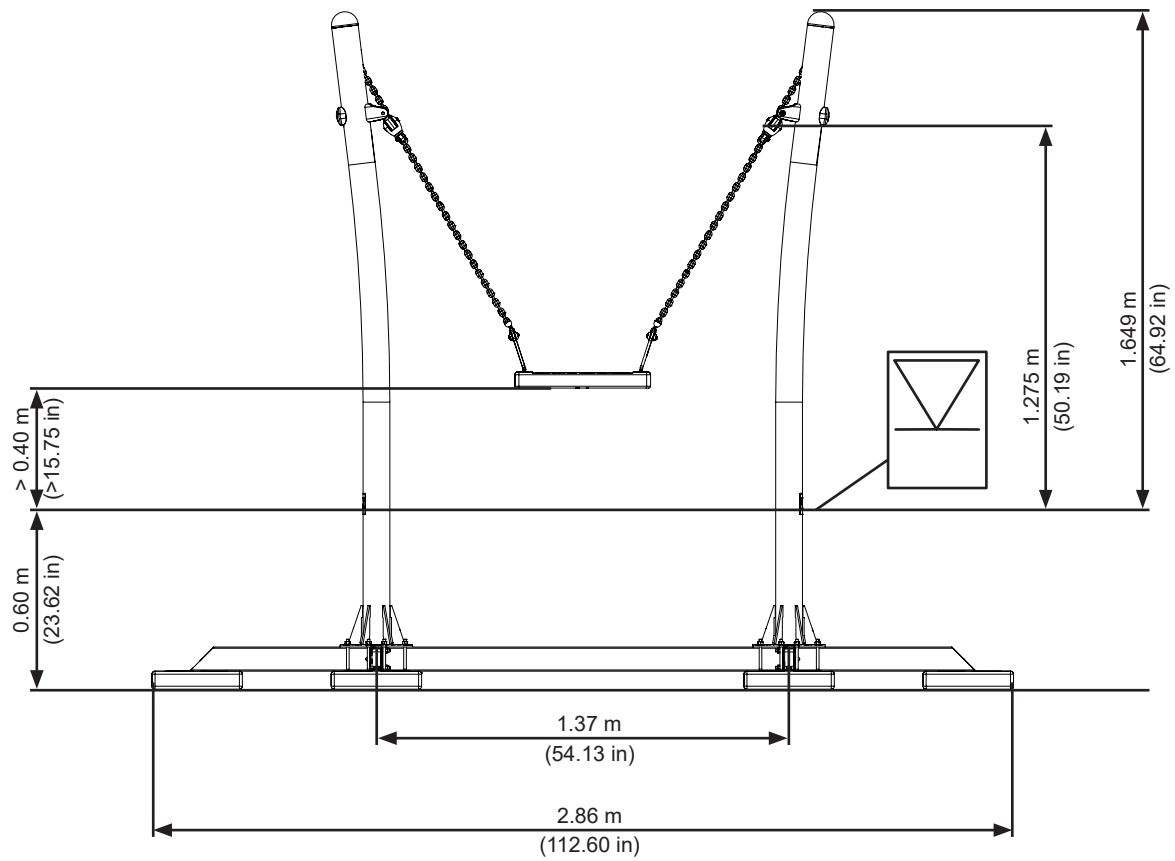
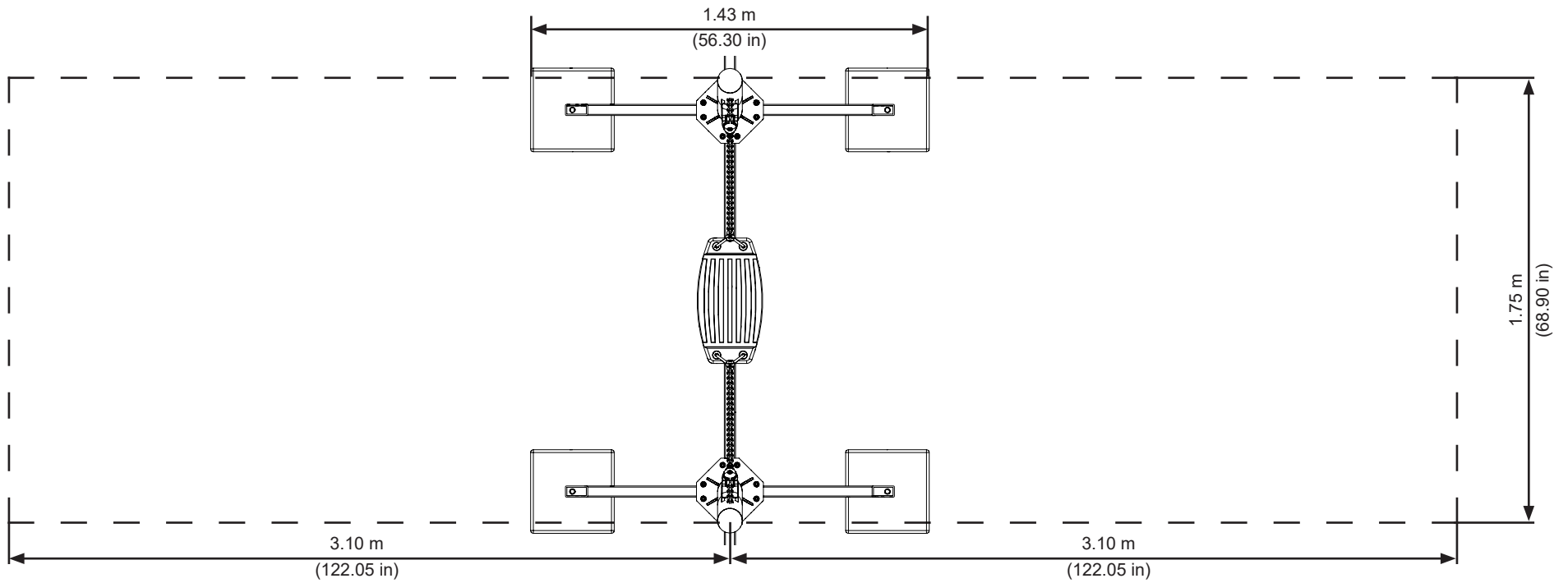
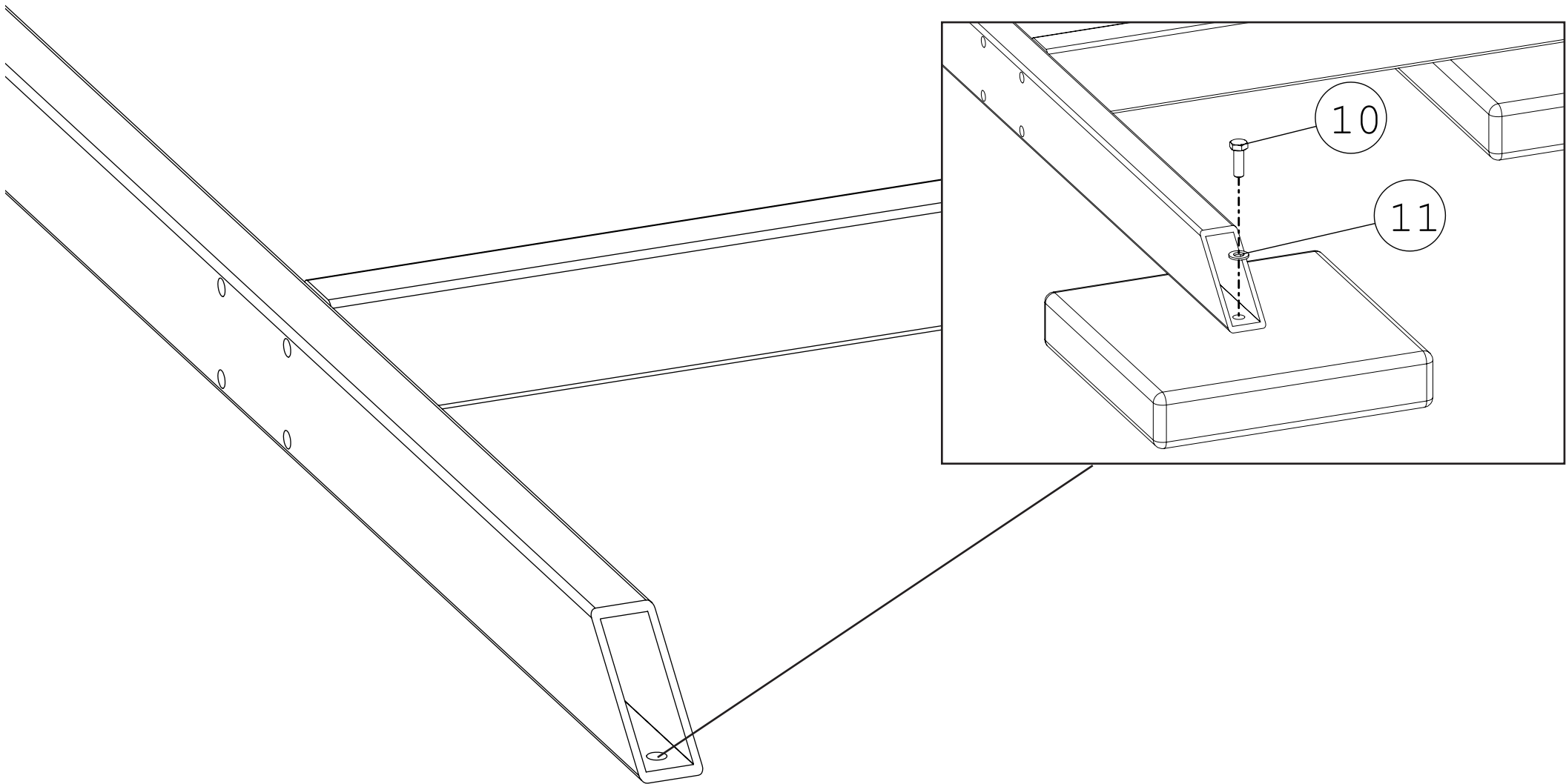


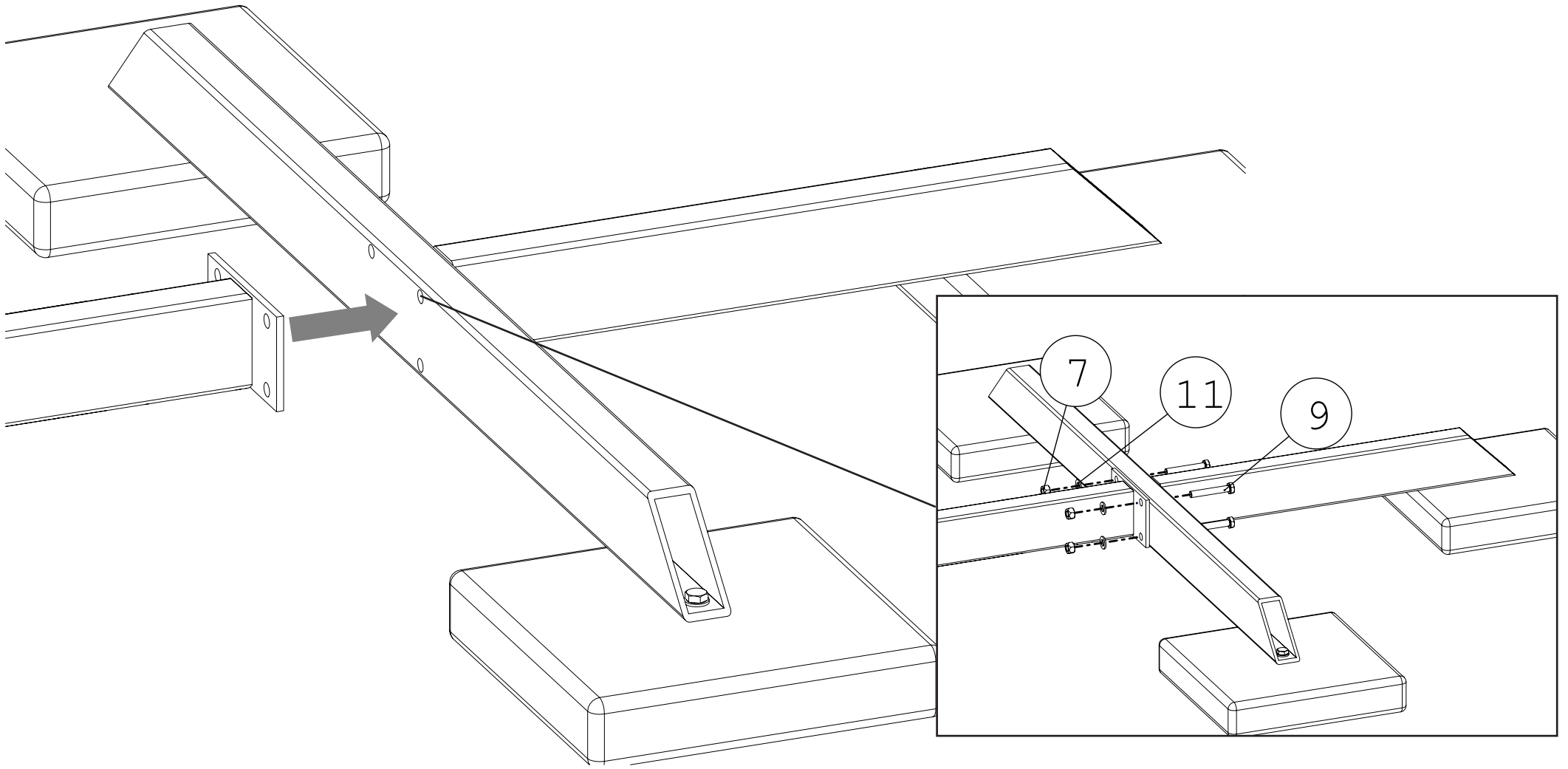
BOM ID	IMAGE	QUANTITY	DESCRIPTION	DOCUMENT ID	WEIGHT
1		2	Anchoring	SW20147	14.09
2		6	Concrete base	SW42011	12.29
3		2	Swingjoint compl.	SW63429	2.26
4		2	Swing leg w Foot, Lillie S	SW63884	24.94
5		1	Mid anchor beam, Anchoring S	SW68047	12.22
6		1	Katja f Lillie	SW68067	5.36
7		24	Nut, ISO7042-M10-8	8042810	0.012
8		8	U-schackle	SW20172	0.02
9		8	Screw, ISO4014-M10x65-8.8	8008384	0.0510
10		6	Screw, ISO4017-M10x30-8.8	8008373	0.0294
11		30	Washer ISO7089-10.5x20x2	8050050	0.004

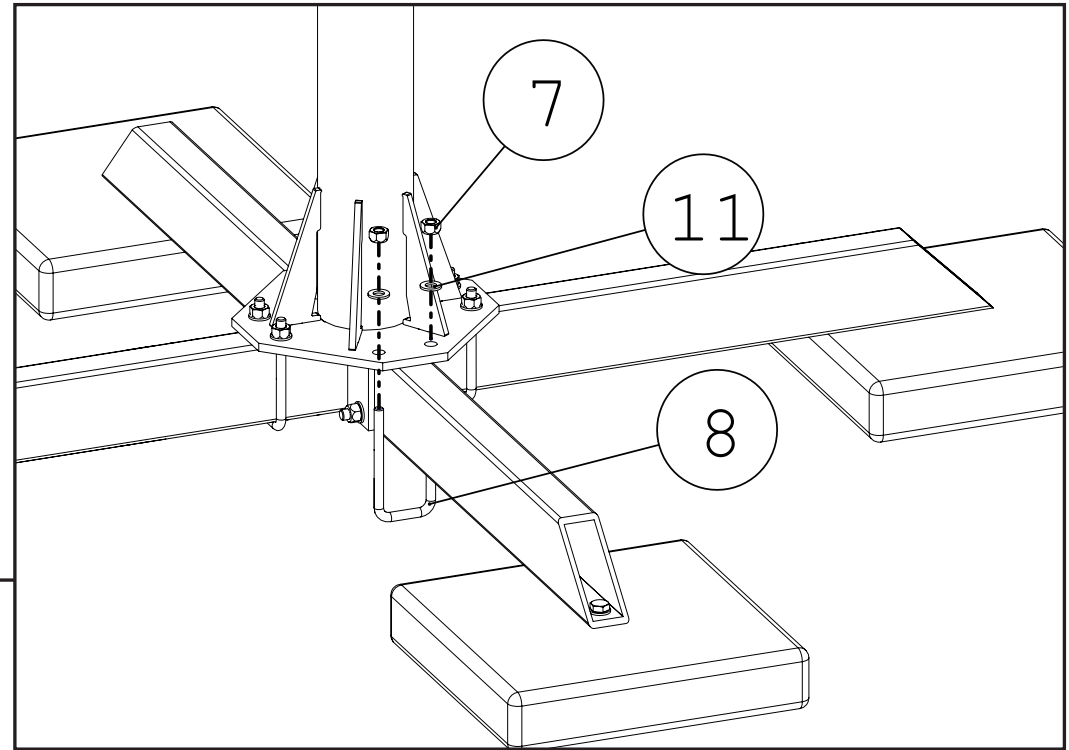
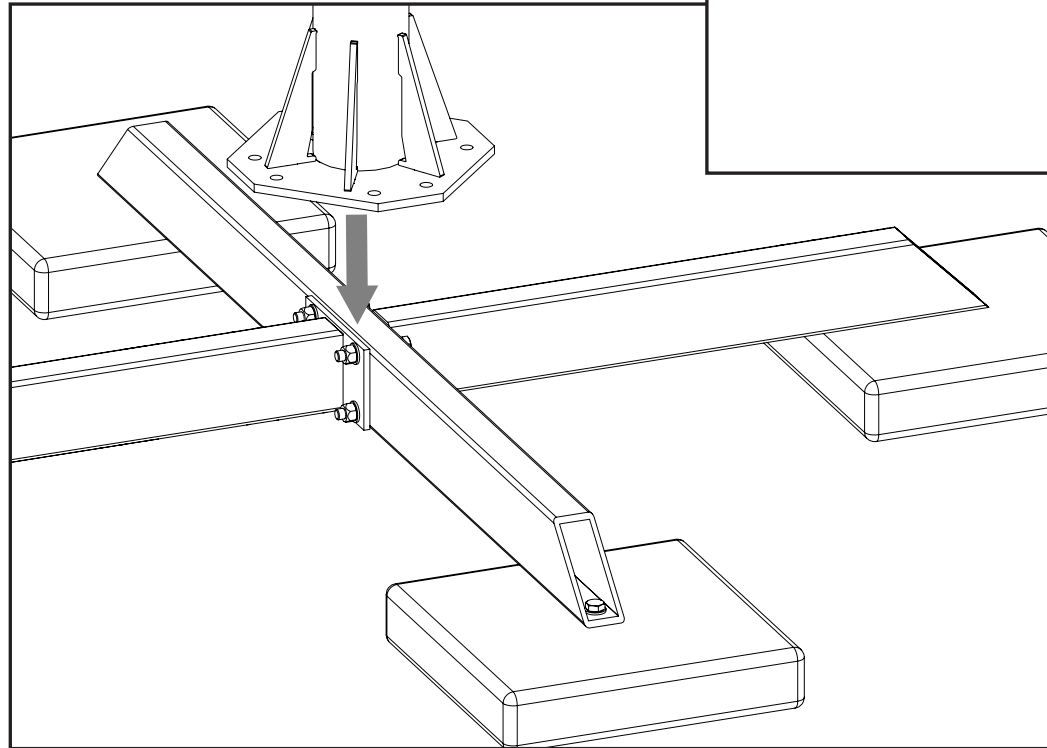
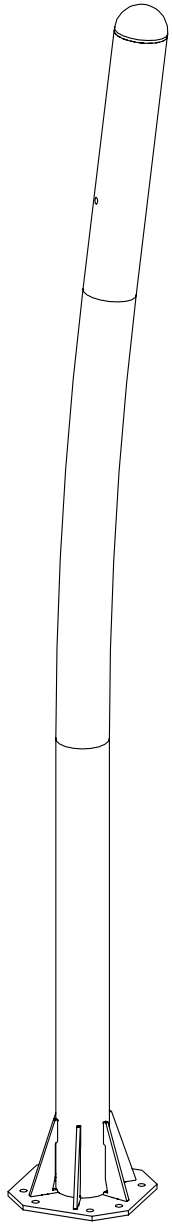


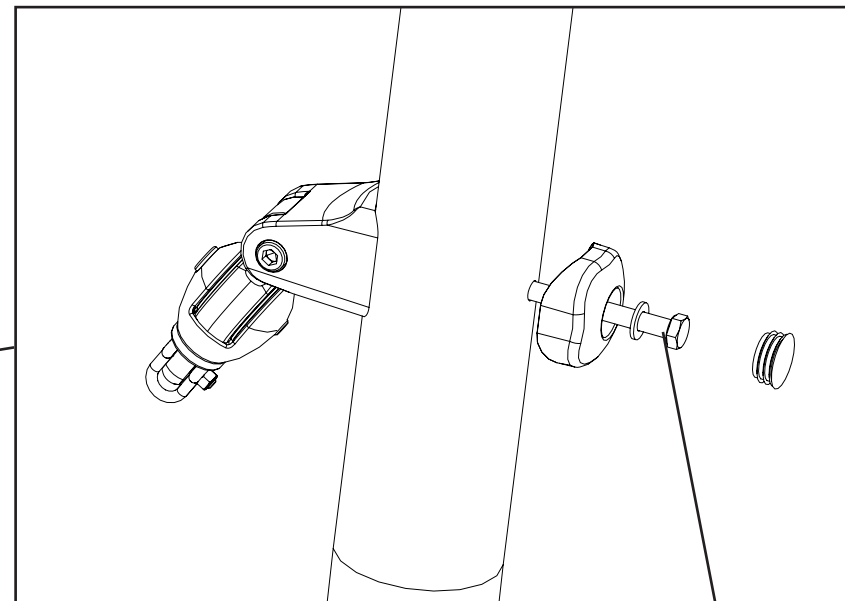
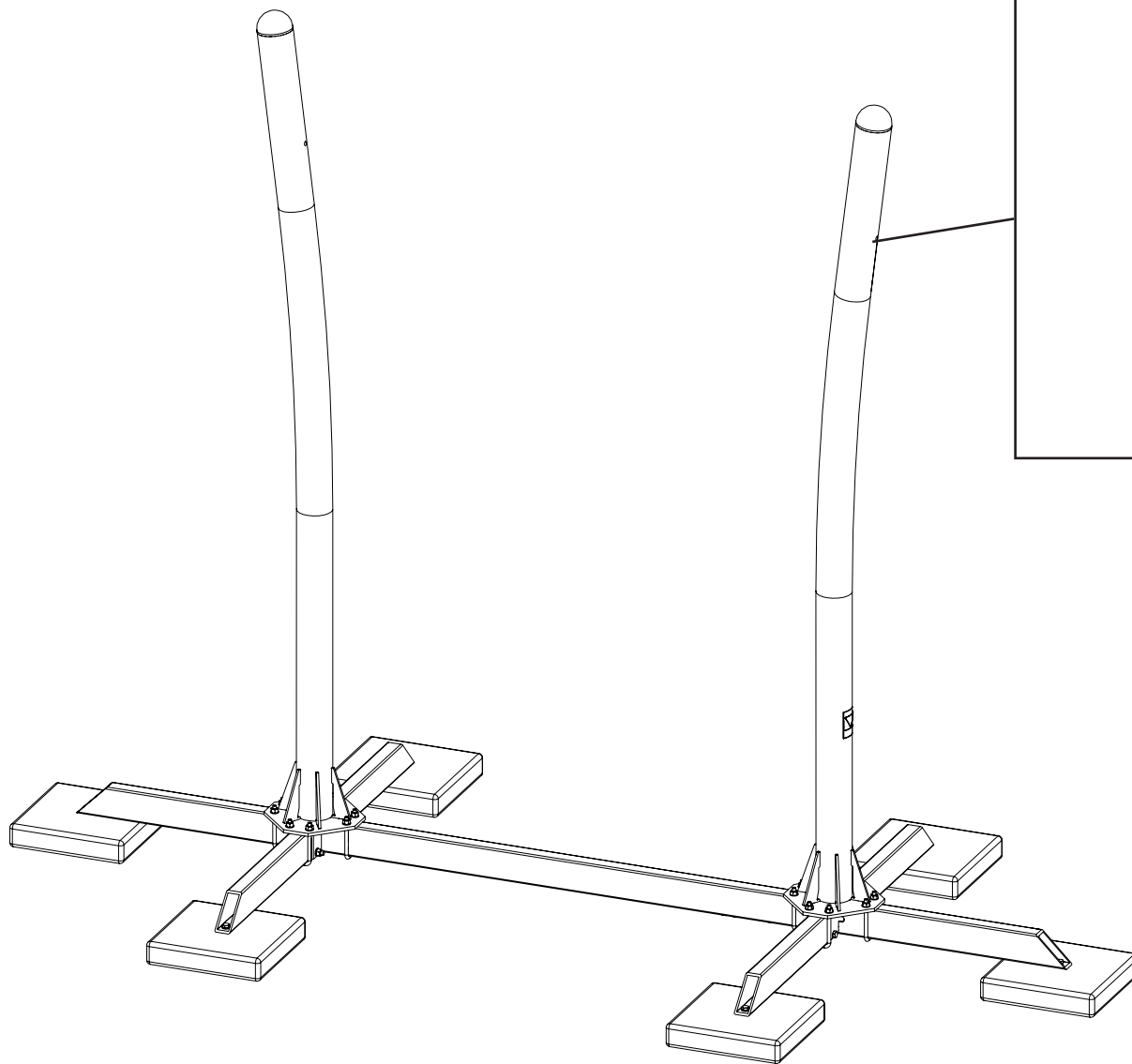












33 Nm



