



Assembly View


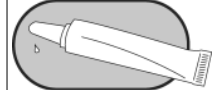

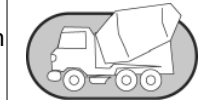


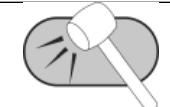
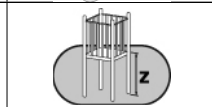
Installation Instructions

Playworld Systems[®]
Models XX0701 and XX0701S
PlayForm 7 Father
In-Ground and Surface Mount

Installation Preparation

Recommended Crew: Four (4) adults
 Installation Time (In-Ground): 22 man-hours
 Installation Time (Surface Mount): 15.5 man-hours
 Concrete Required: 0.66 cubic yard (0,47 cubic meters)
 Use Zone: Refer to the master layout drawing
 User Group Age (years): ASTM/CSA: 5-12, EN: 6-14

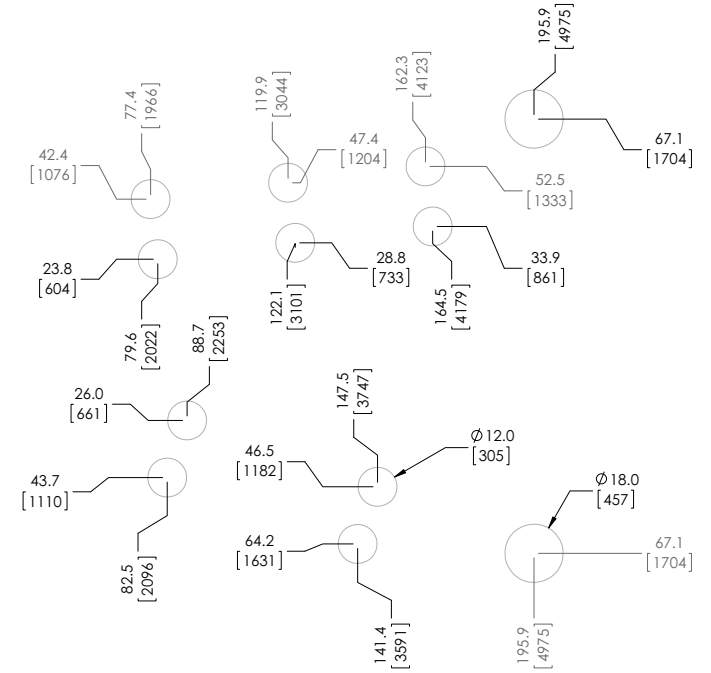
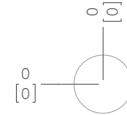
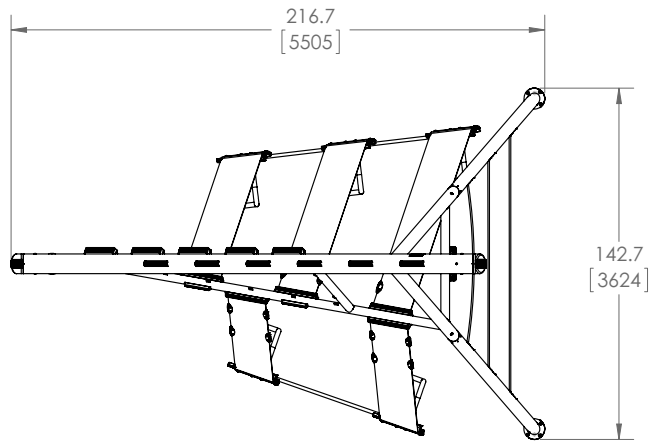
ICON KEY

	Fully Tighten Hardware		Add 1 Drop of Thread Locking Adhesive
	Do Not Fully Tighten Hardware		Pour Concrete
	Drill		Dig Footing Holes
	Hammer		Critical Fall Height

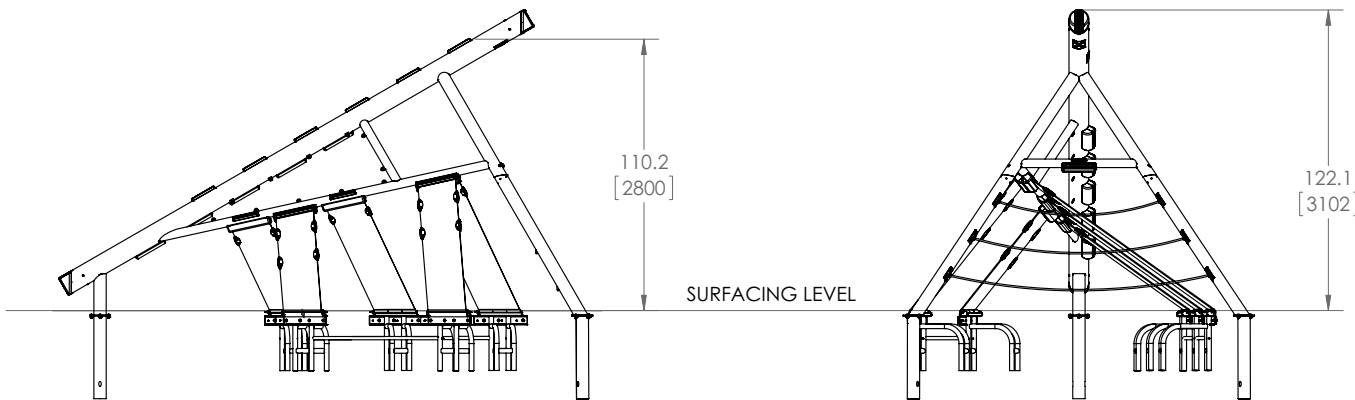
Installation Instructions

KEY	
Position	Unit of Measurement
Top #	Inches
Bottom #	[Millimeters]

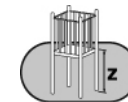
Top View



Footings Diagram



Elevation Views - XX0701



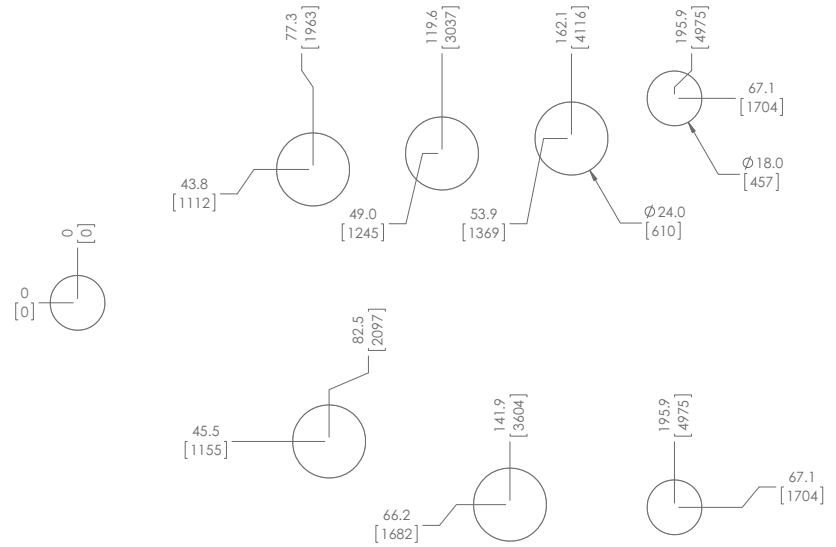
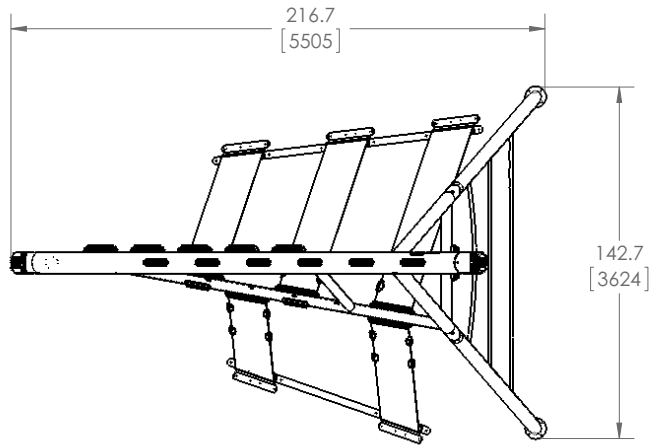
110.2" (2800 mm)



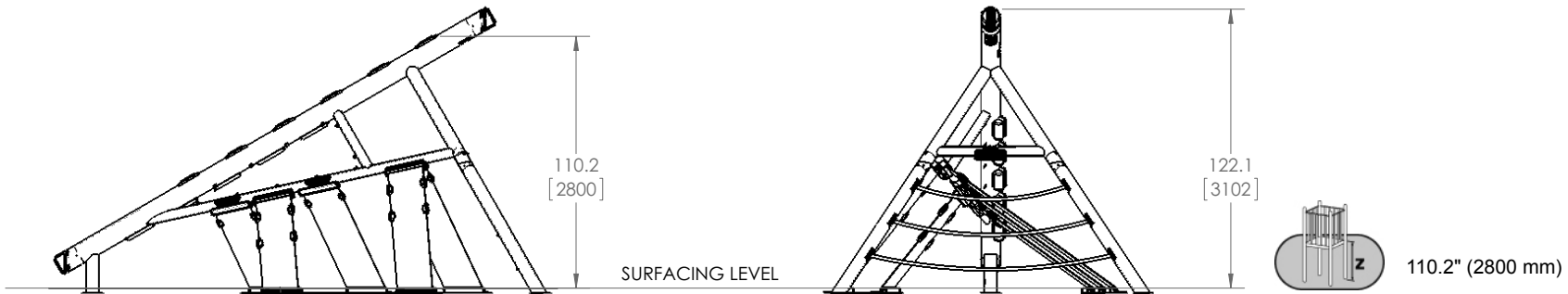
Installation Instructions

KEY	
Position	Unit of Measurement
Top #	Inches
Bottom #	[Millimeters]

Top View



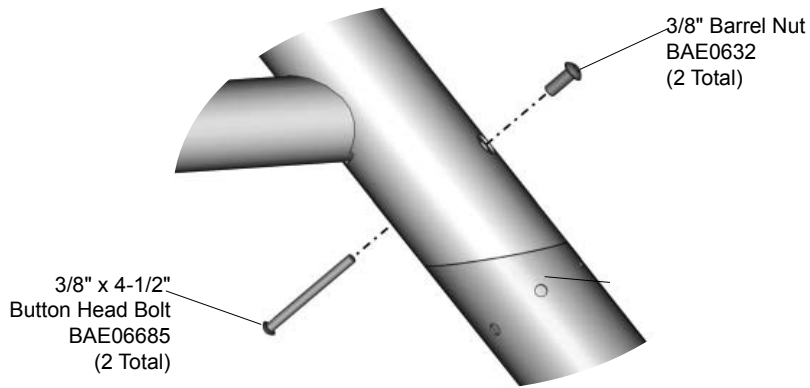
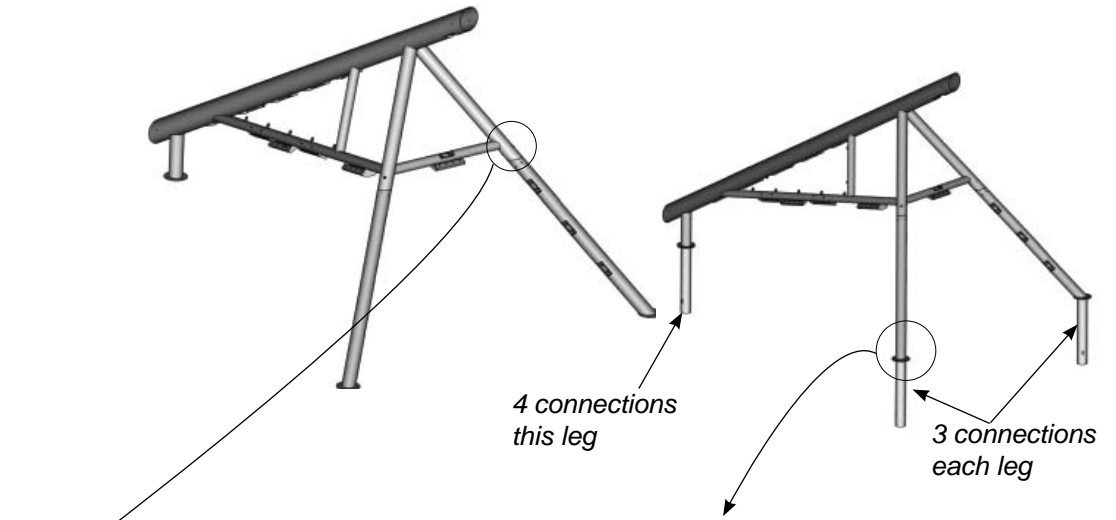
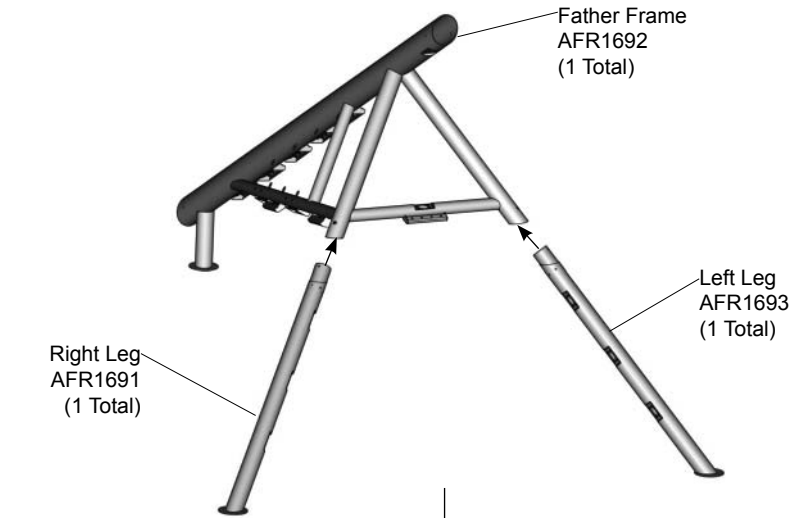
Footings Diagram



Elevation Views - XX0701S

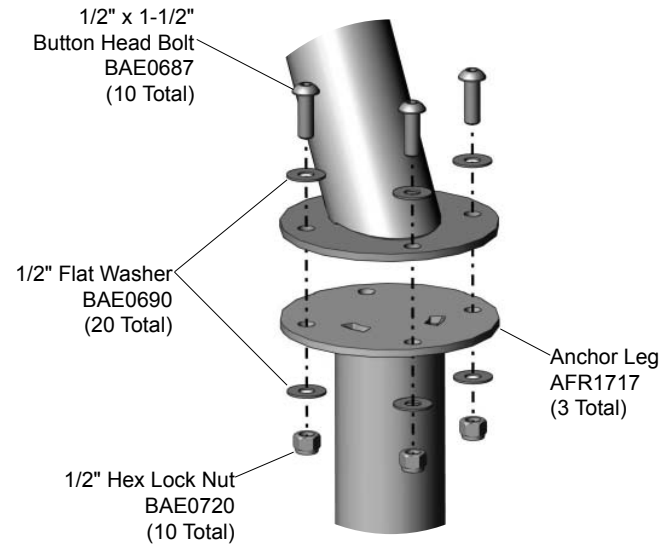
Installation Instructions

Follow the details in alphabetical order. For clarification, each detail references the step description. The step descriptions start on page 14.



Detail A
Step 4

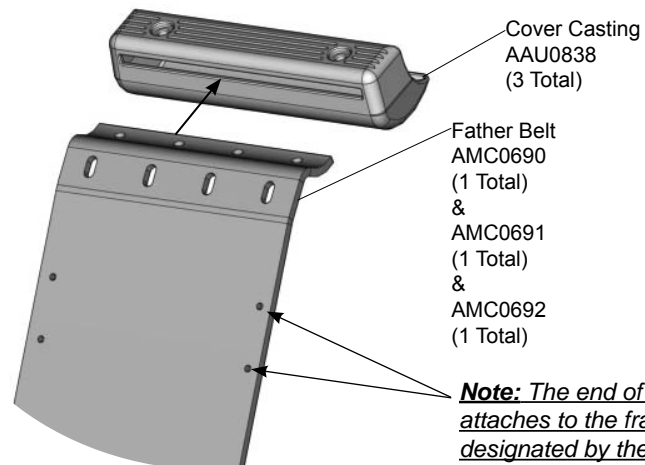
Attach the left and right legs to the Father frame.



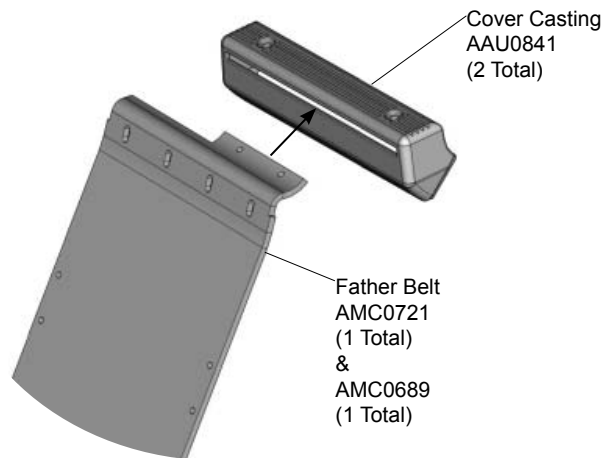
Detail B
Step 5

(In-Ground Model Only)
Attach the anchor legs to the frame assembly.

Installation Instructions

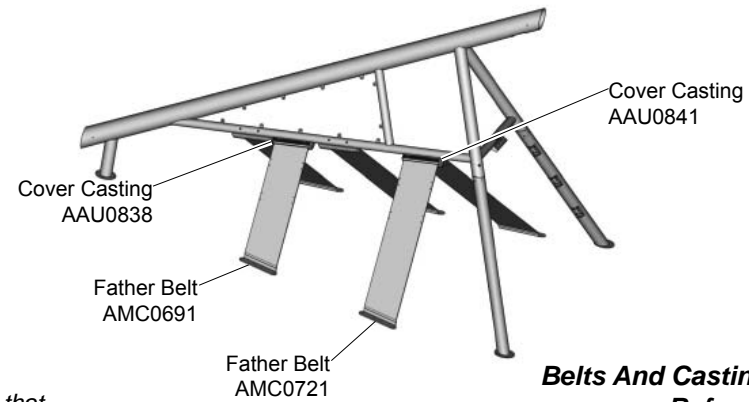


Note: The end of each belt that attaches to the frame bracket is designated by the holes along its side(s) for connection of belt handles.

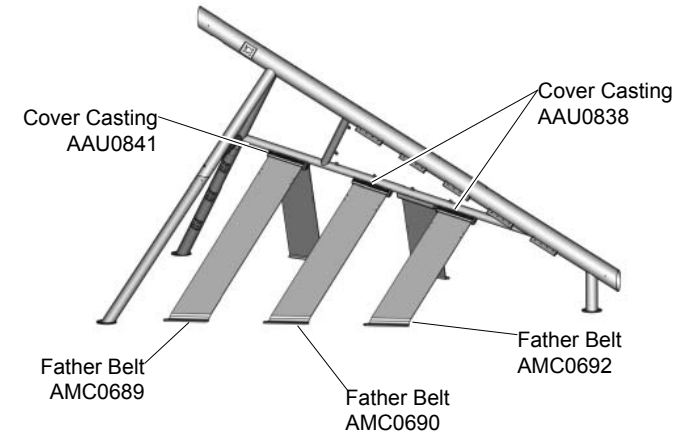


Detail C-1 Step 6

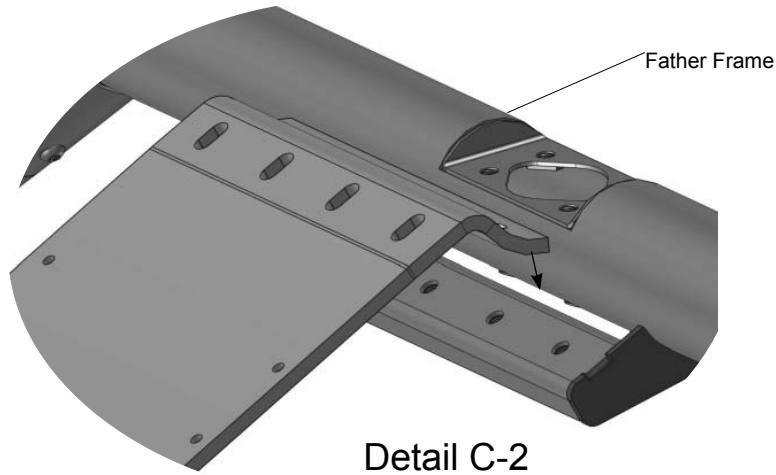
Place the cover casting on the end of the belts that attach to the Father frame.



Belts And Castings Placement Reference



Installation Instructions



Detail C-2 Step 6

Insert the end of each belt into the appropriate bracket on the Father frame (see placement reference on the previous page).

Note: Belts AMC0721 and AMC0689 share the same bottom bracket.

Align the holes in the belt with those in the bottom of the frame bracket.



3/8" Flat Washer
BAE0595
(16 Total)

Bottom Plate
APL2276
(4 Total)



3/8" x 1-1/4"
Button Head Bolt
BAE0666
(16 Total)

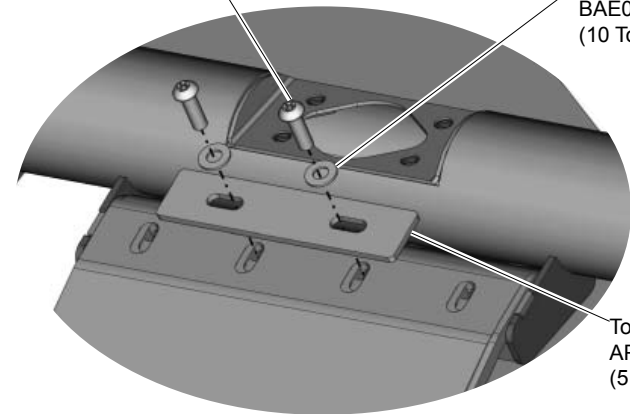
Detail C-3 Step 6

Attach the end of the belts to the underside of the frame brackets.



3/8" x 1-1/4"
Button Head Bolt
BAE0666
(10 Total)

3/8" Flat Washer
BAE0595
(10 Total)



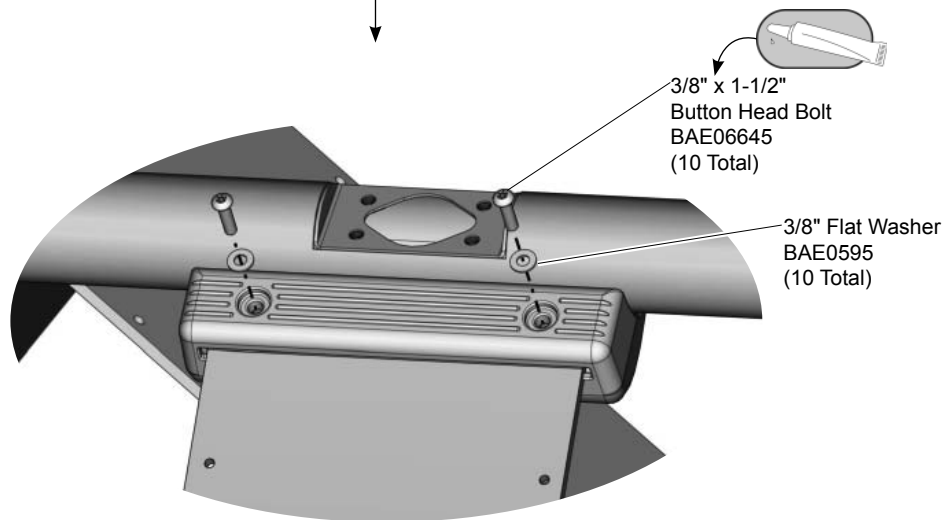
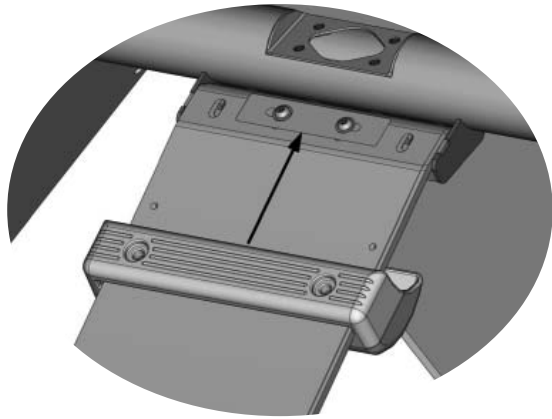
Top Plate
APL2265
(5 Total)

Detail C-4 Step 6

Attach the end of the belts to the top side of the frame brackets.



Installation Instructions



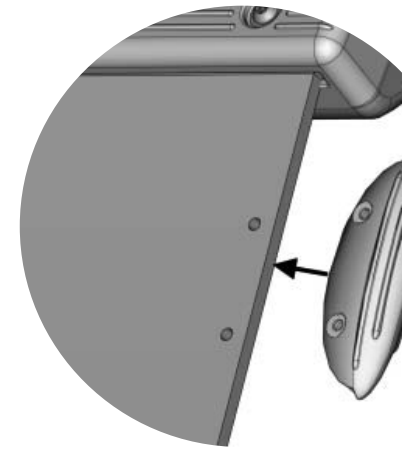
3/8" x 1-1/2"
Button Head Bolt
BAE06645
(10 Total)

3/8" Flat Washer
BAE0595
(10 Total)

Detail C-5
Step 6

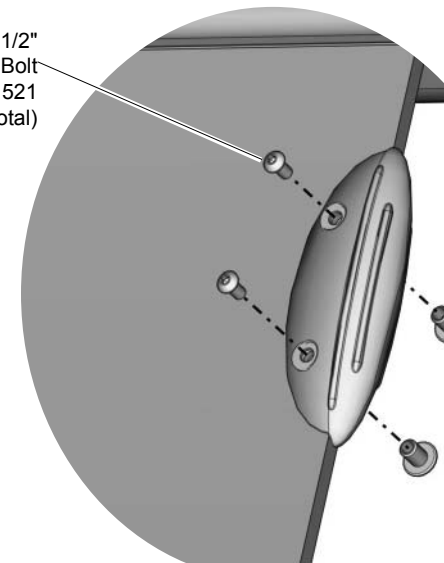


Attach the cover castings to the frame brackets.



Belt Handle
AAU0834
(14 Total)

1/4" x 1/2"
Button Head Bolt
BAE01521
(28 Total)



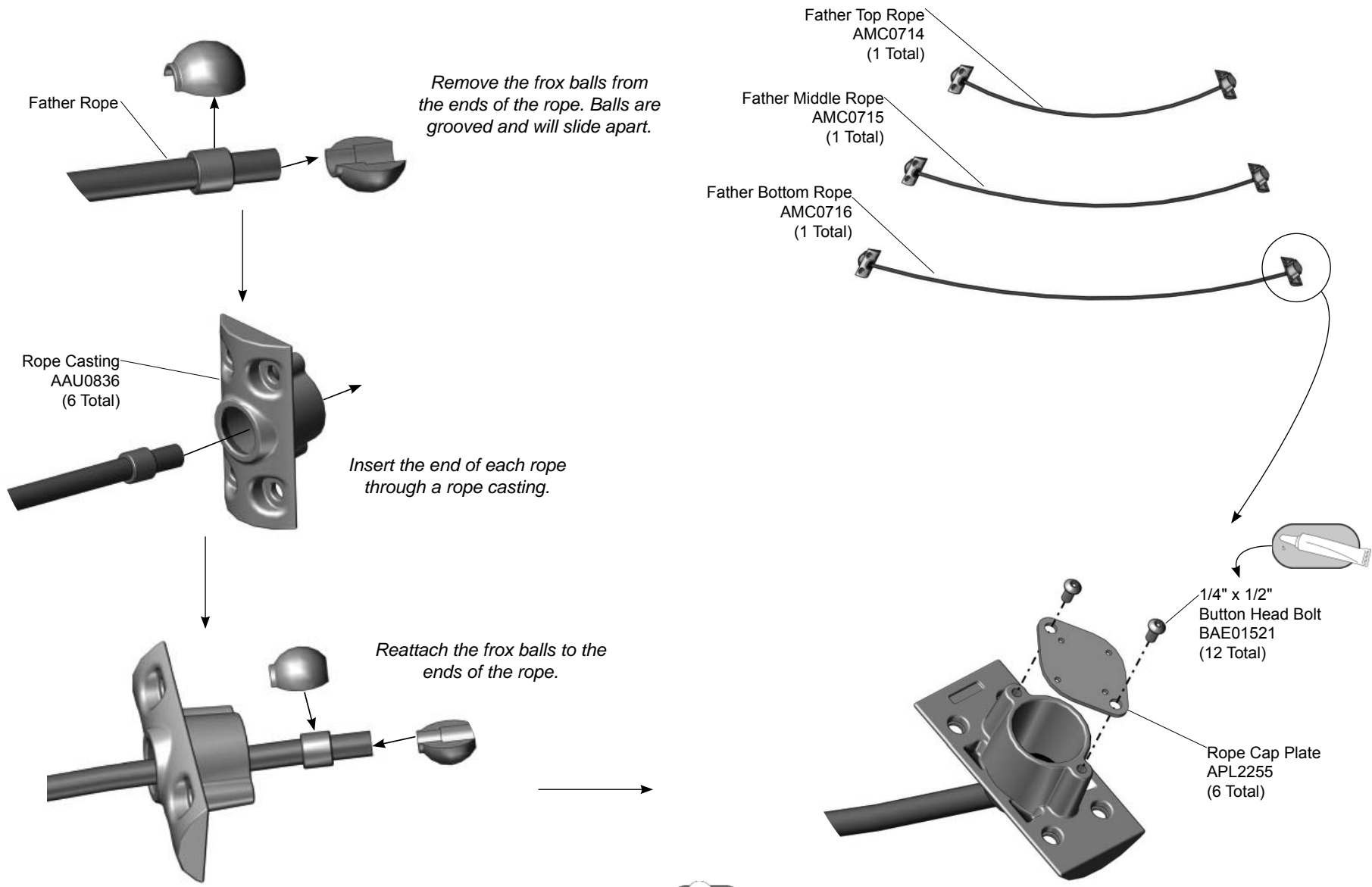
1/4" Button Head Nut
BAE0161
(28 Total)

Detail D
Step 7



Attach the belt handles to the belts.

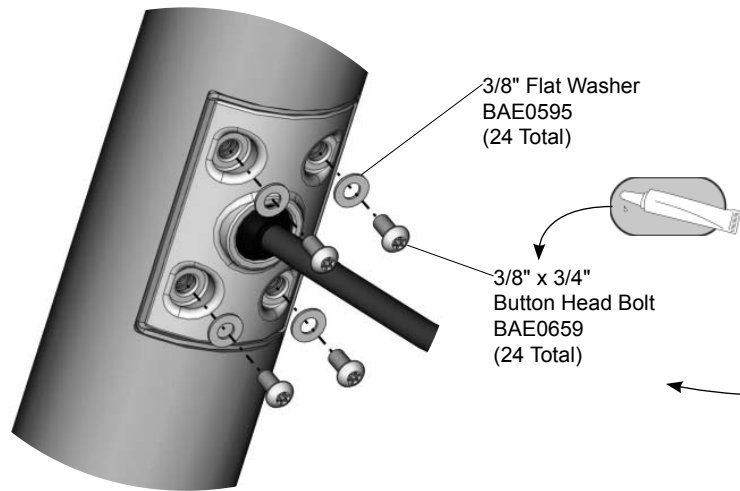
Installation Instructions



Detail E Step 8

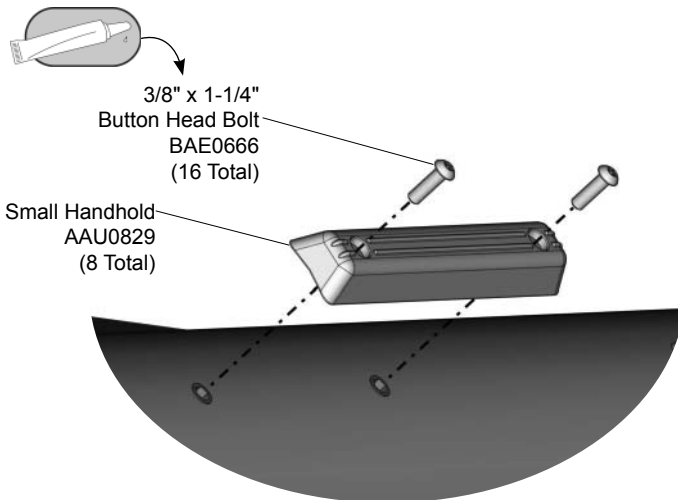
Attach the rope castings to the ends of the Father ropes.

Installation Instructions



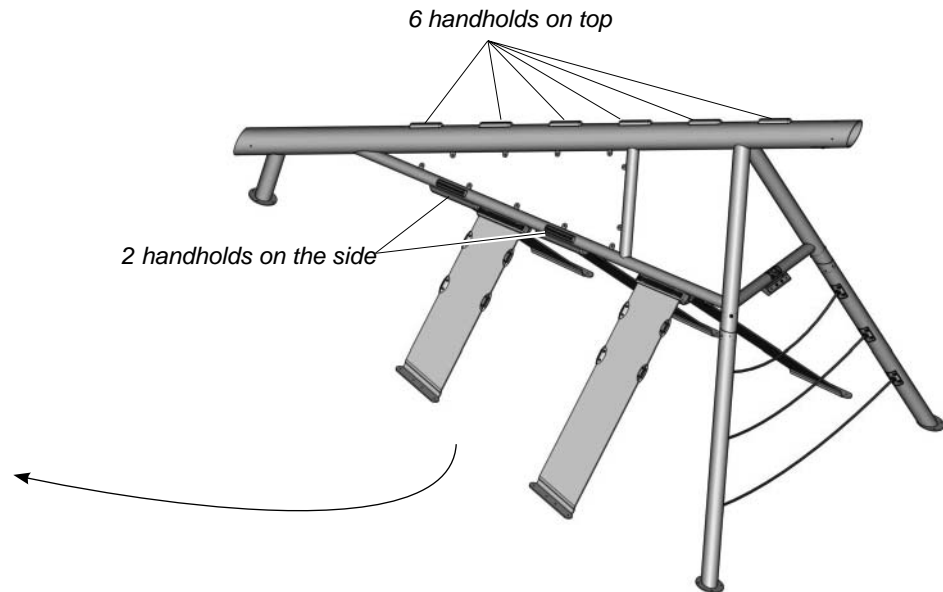
Detail F
Step 9

Attach the Father ropes to the left and right legs.



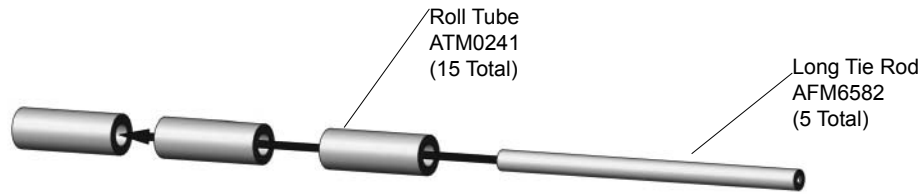
Detail G
Step 10

Attach the handholds to the top and the side of the frame.



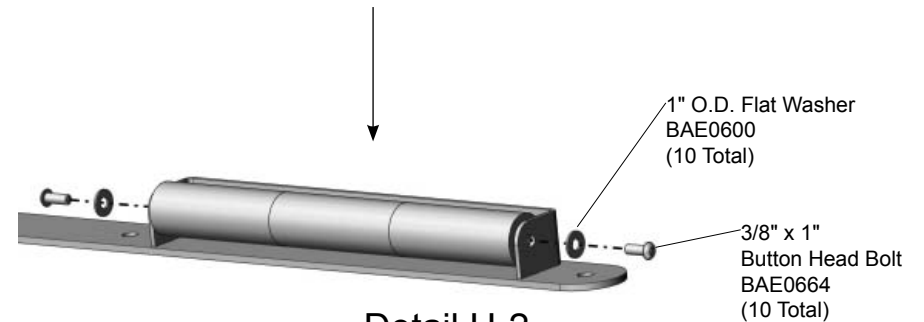
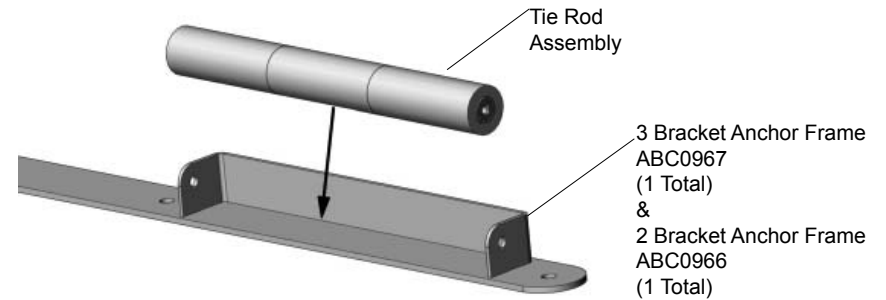
Handholds Placement Reference

Installation Instructions



Detail H-1

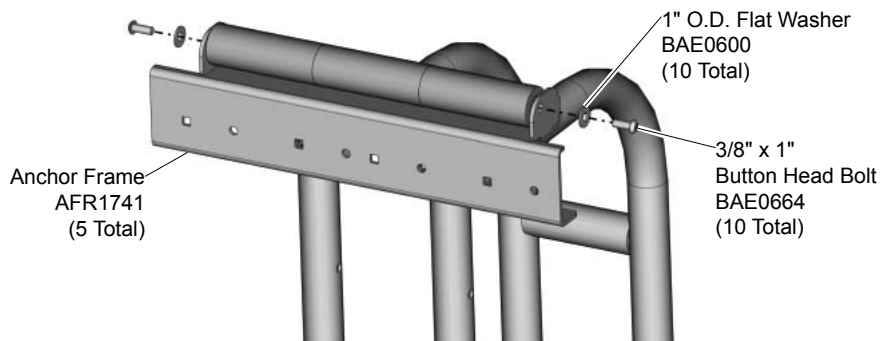
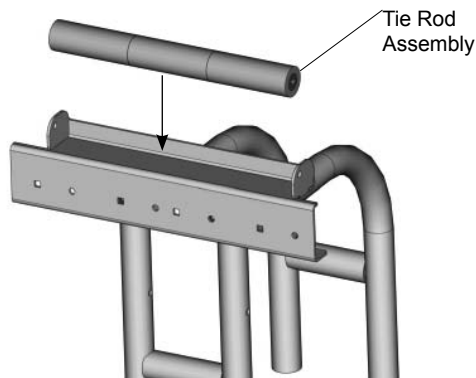
Insert and center each tie rod through three roll tubes.



Detail H-2

(Surface Mount Model)

Attach the tie rod assemblies to the anchors frames.



Detail H-2

(In-Ground Model)

Attach the tie rod assemblies to the anchors frames.

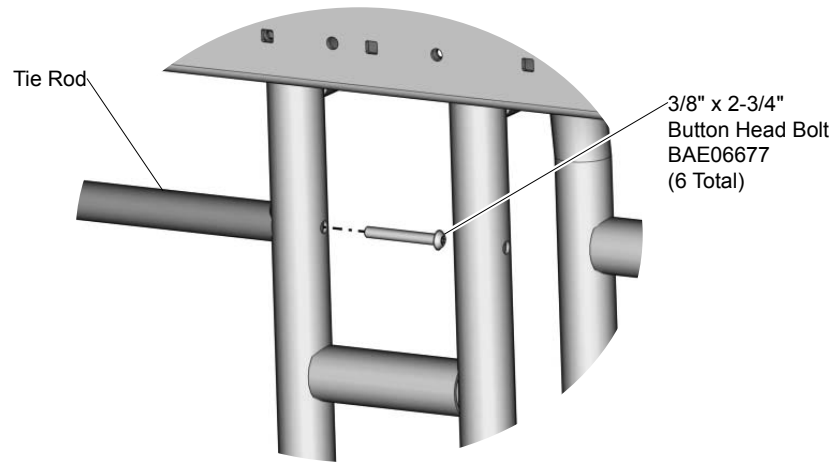
Details H-1 and H-2

Step 11

Assemble and attach the tie rod assemblies to the anchors frames.

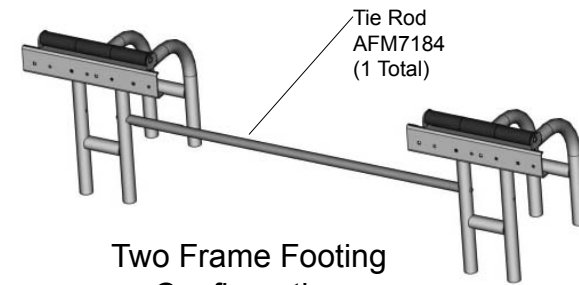


Installation Instructions

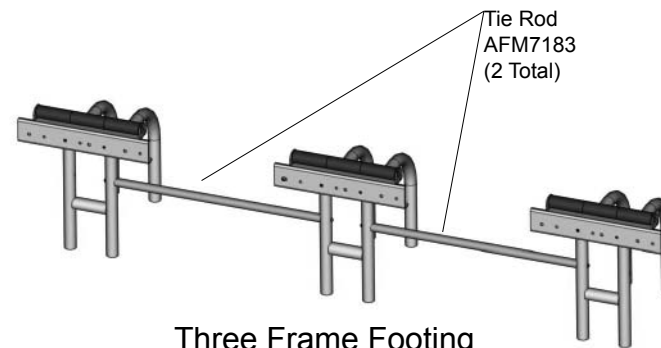


Detail I
Step 12

(In-Ground Model Only)
Attach the anchor frames together.

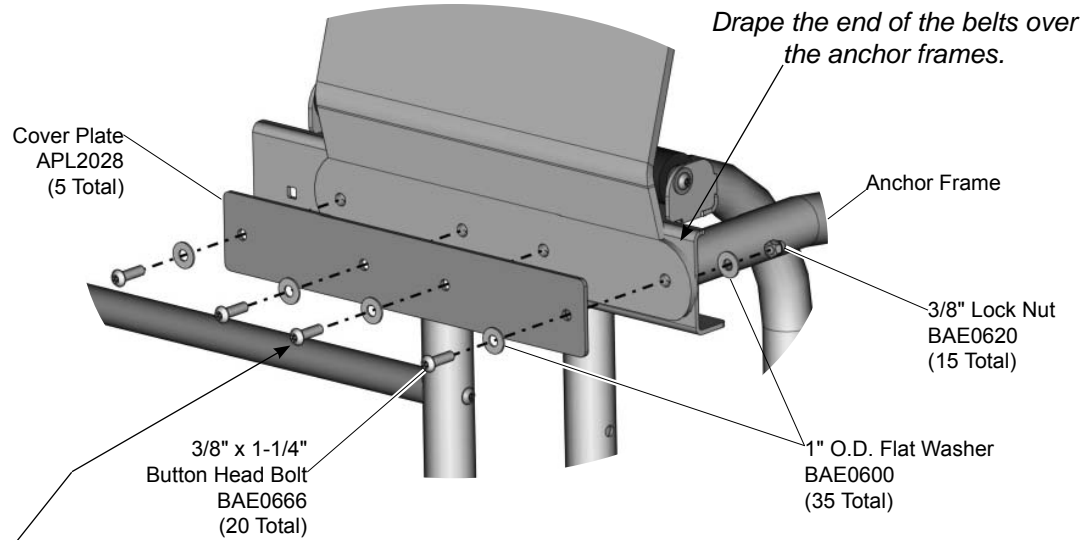


Two Frame Footing
Configuration



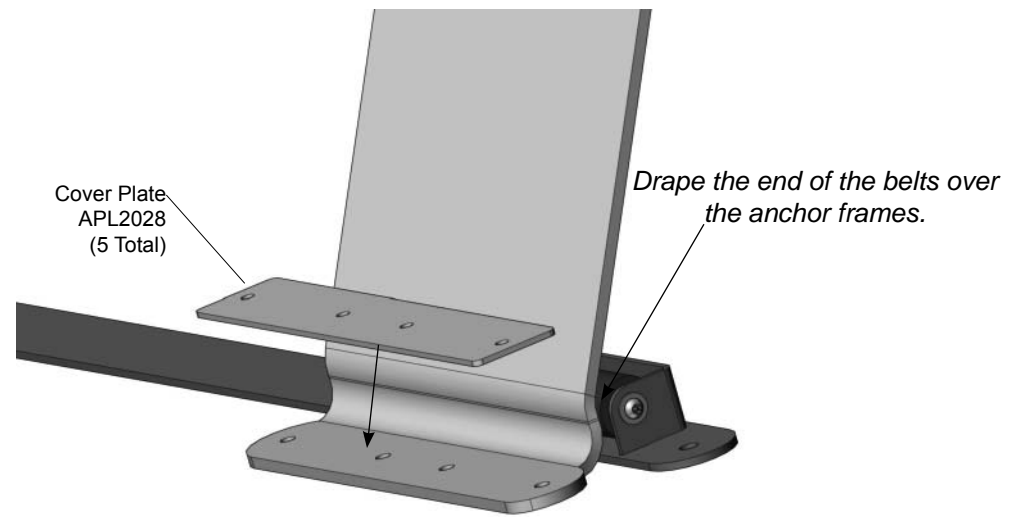
Three Frame Footing
Configuration

Installation Instructions



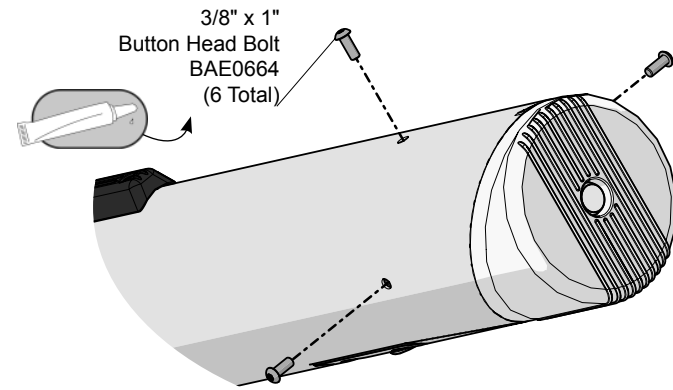
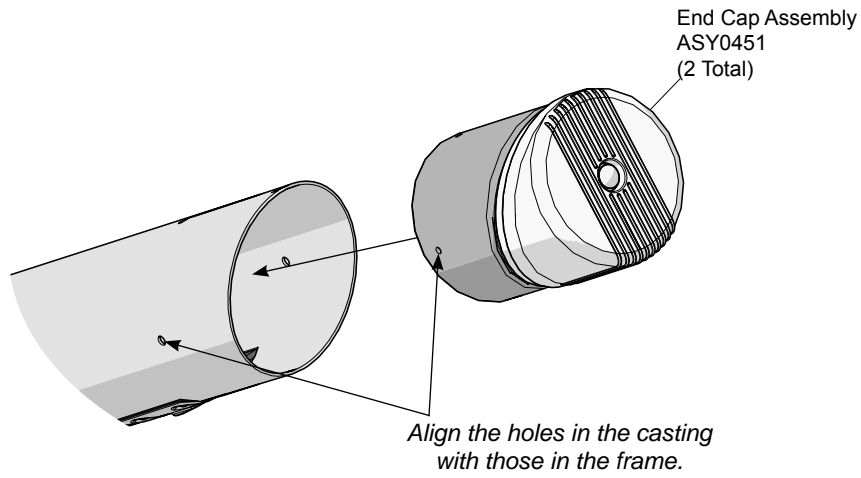
Note: The second bolt from the right does not attach to a lock nut but instead threads into a weldnut on the anchor frame.

Detail J-1
Step 13
(In-Ground Model)
 Attach the belts to the anchor frames.

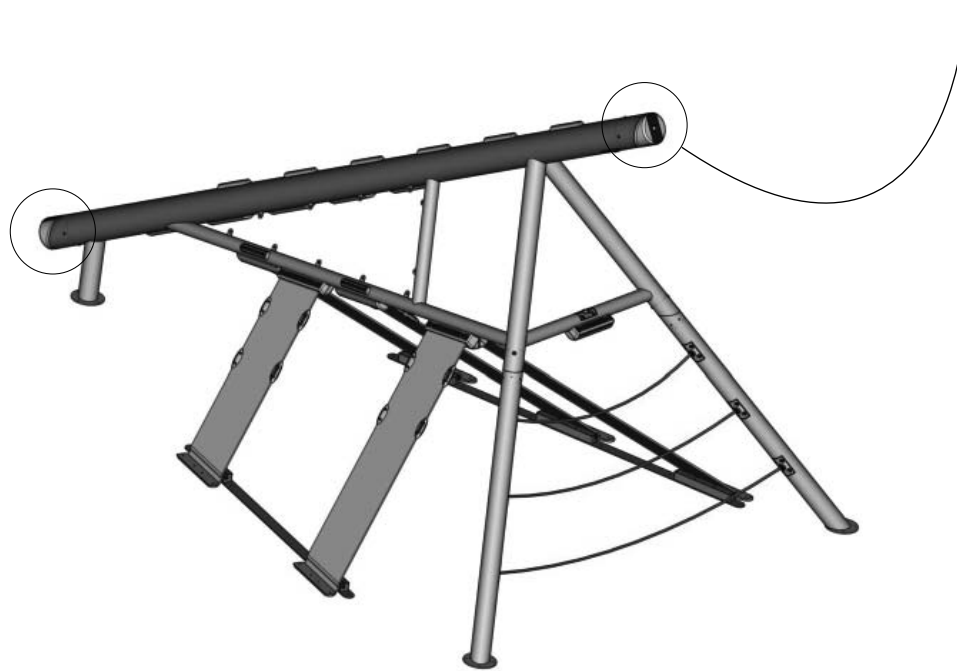


Detail J-2
Step 13
(Surface Mount Model)
 Prepare the belts to be anchored.

Installation Instructions



Detail K 
Step 16
Attach the end cap assembly to the ends of the Father frame.



Installation Instructions

Notes Before You Begin: Do not over tighten bolts during assembly, only snug tighten them until assembly is complete. Do not install bolt caps until the structure is completely assembled and properly footed.

Carefully read and understand these installation instructions before you begin.

Step 1: Before attempting to assemble your equipment, please review all installation information carefully. Should you experience any difficulty during the installation process, please call us at the phone number shown on the last page of these instructions.

Step 2: Separate and identify all components and hardware.

Step 3: Excavate, or prepare, the footings as shown in the **Footing Details** in the *Guidelines* at the beginning of this instruction booklet. Use the **Support Post Footing Detail** for the in-ground Father frame anchor legs and the **Component Footing Detail** for the in-ground belt anchor frames.

Step 4: Attach the left and right legs to the Father frame. See **Detail A**. Insert each leg into the appropriate side of the frame at the angle shown, align the holes and attach as shown. Fully tighten the connections according to tightening torque specifications.

Torque Specifications:

Bolts and nuts - Snug tighten and then tighten an additional one half turn.

Step 5: (*In-Ground Model Only*) Attach the anchor legs to the frame assembly. See **Detail B**. Place the legs against the bottom of the frame assembly and attach as shown. Fully tighten the connections according to tightening torque specifications.

Step 6: Attach the belts to the Father frame. See **Details C-1 through C-5 and Belts and Castings Placement Reference**. Place the end of each belt with the holes along it's sides for connection of the belt handles through the associated casting. Ensure the curved side of the casting is facing the frame bracket. Insert the end of each belt into the appropriate bracket on the Father frame. Apply a drop of thread locking adhesive to the bolt threads and attach the end of the belts to the *underside* of the frame brackets as shown. **Note:** *Belts AMC0721 and AMC0689 share the same bottom bracket*. Apply a drop of thread locking adhesive to the bolt threads and attach the end of the belts to the top side of the frame brackets as shown. Fully tighten the connections, both underneath and on top of the bracket, according to tightening torque specifications. Slide the cover casting over top of the frame bracket, apply a drop of thread locking adhesive to the bolt threads and attach as shown. Fully tighten those connections according to tightening torque specifications.

Step 7: Attach the belt handles to the belts. See **Detail D**. Position each handle onto the edge of the belt and align with the set of holes along the side of the belt and attach as shown. Fully tighten the connections according to tightening torque specifications.

Step 8: Attach the rope castings to the ends of the Father ropes. See **Detail E**. Remove the frox balls from the ends of the rope. Balls are grooved and will slide apart. Insert the each end of the ropes through a casting and reattach the frox balls. Pull the rope tight in the casting, apply a drop of thread locking adhesive to the bolt threads and attach the rope cap plate to the casting as shown. Fully tighten the connections according to tightening torque specifications.

Step 9: Attach the Father ropes to the left and right legs. See **Detail F**. Position each casting against the left and right legs, apply a drop of thread locking adhesive to the bolt threads and attach the ropes as shown. Fully tighten the connections according to tightening torque specifications.

Step 10: Attach the handholds to the top and the side of the frame. See **Detail G and Handholds Placement Reference**. Seat each handhold on top of the frame, apply a drop of thread locking adhesive to the bolt threads and attach as shown. Fully tighten the connections according to tightening torque specifications.



Installation Instructions

Step 11: Assemble and attach the tie rod assemblies to the anchor frames. See **Detail H-1 and the appropriate Detail H-2**. Insert and center each tie rod through three roll tubes. Set each tie rod assembly onto an anchor frame and attach as shown. Fully tighten the connections according to tightening torque specifications.

Step 12: (*In-Ground Model Only*) Attach the anchor frames together. See **Detail I and the Frame Configurations**. Attach the anchor frames together with the tie rods to form the two and three frame configurations as shown. Fully tighten the connections according to tightening torque specifications.

Step 13: (*In-Ground Model*) - Attach the mats to the anchor frames. See **Detail J-1**. Position the anchor frames from each footing configuration in their designated holes and attach the mats as shown. Fully tighten the connections according to tightening torque specifications. Surface Mount Model - Place the footing frames on their designated footing, drape the end of the mats over top and place the cover plate on top of the mat with the holes aligned. See **Detail J-2**.

Important Note: Hardware to bolt the mat and anchor frame to the surface is provided by the customer.

Step 14: Finish assembling the other components and attaching any other belts or ropes between component.

Final Details.

Step 15: Plumb and level the components.

In-Ground: Block and brace for concrete. Pour concrete after all equipment has been assembled. Allow 72 hours for concrete to completely cure.

Surface Mount: Bolt down all surface mount supports in accordance with specifications provided by your registered structural engineer.

Important Note: Surface mount hardware is not supplied. Customer is responsible for concrete base and for providing surface mount hardware as specified by a registered structural engineer for each specific project application.

Step 16: Attach the end cap assembly to the ends of the Father frame. See **Detail K**. Insert each end cap assembly into an end of the Father frame, apply a drop of thread locking adhesive to the bolt threads and attach as shown. Fully tighten the connections according to tightening torque specifications.

Step 17: For areas complying with ASTM standard F1487 or the CSA Z-614, apply the age appropriate label to the component at eye level.

XX0701 - PLAYFORM 7 FATHER

PART NO.	DESCRIPTION	QTY.	PART NO.	DESCRIPTION	QTY.
AAU0829	SMALL MOHAWK PLAYFORM 7	8	BAE0666	BOLT - 3/8"-16 x 1.25" BUTTON HEAD - SS	98
AAU0834	BELT HANDLE	14	BAE0687	BOLT - 1/2"-13 x 1.50" BUTTON HEAD - SS	10
AAU0835	ROPE CASTING FOR 3.50" TUBING	1	BAE0690	WASHER - .531" I.D. x 1.250" O.D. x .060" THICK	20
AAU0836	ROPE CASTING FOR 5.00" TUBING	6	BAE0720	NUT - 1/2"-13 LOCK	10
AAU0837	ROPE CASTING FOR 8.00" TUBING	2	BAE0900	WRENCH - 5/32" SHORT HEX KEY	1
AAU0838	COVER CASTING FOR 16.00" BELT	3	BAE0902	TOOL - 7/32" SHORT HEX KEY WRENCH	1
AAU0839	COVER CASTING FOR 12.00" BELT 3.50" O.D. TUBING	1	BAE0922	TOOL - TT 45 L WRENCH	2
AAU0840	COVER CASTING FOR 12.00" BELT 8.00" O.D. TUBING	5	BAE01521	BOLT - 1/4"-20 x .50" BUTTON HEAD - SS	46
AAU0841	COVER CASTING FOR DOUBLE BELT CONNETION	2	BAE06645	BOLT - 3/8"-16 x 1.50" BUTTON HEAD - SS	22
AFM6582	FAB METAL - 1.029" O.D. x 17.00" w/INSERTS	5	BAE06677	BOLT - 3/8"-16 x 2.75" BUTTON HEAD - SS	6
AFM7183	FAB METAL - 1.315" O.D. x 34.37" w/INSERTS	2	BAE06685	BOLT - 3/8"-16 x 4.50" BUTTON HEAD - SS	2
AFM7184	FAB METAL - 1.315" O.D. x 53.90" w/INSERTS	1	ALB0025	LABEL - AGE APPROPRIATE SHEET	1
AFR1691	FRAME - DAD LEG (RIGHT)	1			
AFR1692	FRAME - DAD	1			
AFR1693	FRAME - DAD LEG (LEFT)	1			
AFR1717	FRAME - 5.00" O.D. FOOTING LEG	3			
AFR1741	FRAME - DAD BELT FOOTING	5			
AMC0689	BELT - FATHER TENT #1	1			
AMC0690	BELT - FATHER TENT #2	1			
AMC0691	BELT - FATHER TENT #3	1			
AMC0692	BELT - FATHER TENT 34	1			
AMC0714	ROPE - .63" O.D. x 70.81"	1			
AMC0715	ROPE - .63" O.D. x 90.73"	1			
AMC0716	ROPE - .63" O.D. x 110.26"	1			
AMC0721	BELT - FATHER TENT #1	1			
APL2028	PLATE - 17.75" x 3.00" x 7 GA	5			
APL2255	PLATE - ROPE CAP	9			
APL2265	PLATE - 6.75" x 1.50" x 7 GA	11			
APL2275	PLATE - 11.50" x 1.50" x 12 GA	6			
APL2276	PLATE - 15.50" x 1.50" x 12 GA	4			
ASY0451	PLAYFORM 7 END CAP ASSEMBLY	2			
ATM0241	2.00" O.D. x 5.66" TUBE	15			
BAD0085	THREAD LOCKING ADHESIVE	5			
BAE0161	NUT - 1/4"-20 x 7/16" BUTTON HEAD	28			
BAE0595	WASHER - 3/8" SAE FLAT	120			
BAE0600	WASHER - 1" O.D. FLAT	45			
BAE0620	NUT - 3/8"-16 LOCK w/NYLON CAP	15			
BAE0632	NUT - 3/8"-16 x 1.25 BARREL w/PATCH	2			
BAE0659	BOLT - 3/8"-16 x .75" BUTTON HEAD - SS	36			
BAE0664	BOLT - 3/8"-16 x 1.00" BUTTON HEAD - SS	16			



XX0701S - PLAYFORM 7 FATHER SURFACE MOUNT

PART NO.	DESCRIPTION	QTY.	PART NO.	DESCRIPTION	QTY.
AAU0829	SMALL MOHAWK PLAYFORM 7	8	BAE01521	BOLT - 1/4"-20 x .50" BUTTON HEAD - SS	46
AAU0834	BELT HANDLE	14	BAE06645	BOLT - 3/8"-16 x 1.50" BUTTON HEAD - SS	22
AAU0835	ROPE CASTING FOR 3.50" TUBING	1	BAE06685	BOLT - 3/8"-16 x 4.50" BUTTON HEAD - SS	2
AAU0836	ROPE CASTING FOR 5.00" TUBING	6	ALB0025	LABEL - AGE APPROPRIATE SHEET	1
AAU0837	ROPE CASTING FOR 8.00" TUBING	2			
AAU0838	COVER CASTING FOR 16.00" BELT	3			
AAU0839	COVER CASTING FOR 12.00" BELT 3.50" O.D. TUBING	1			
AAU0840	COVER CASTING FOR 12.00" BELT 8.00" O.D. TUBING	5			
AAU0841	COVER CASTING FOR DOUBLE BELT CONNETION	2			
ABC0966	FATHER FOOTING BRACKET #1	1			
ABC0967	FATHER FOOTING BRACKET #2	1			
AFM6582	FAB METAL - 1.029" O.D. x 17.00" w/INSERTS	5			
AFR1691	FRAME - DAD LEG (RIGHT)	1			
AFR1692	FRAME - DAD	1			
AFR1693	FRAME - DAD LEG (LEFT)	1			
AMC0689	BELT - FATHER TENT #1	1			
AMC0690	BELT - FATHER TENT #2	1			
AMC0691	BELT - FATHER TENT #3	1			
AMC0692	BELT - FATHER TENT 34	1			
AMC0714	ROPE - .63" O.D. x 70.81"	1			
AMC0715	ROPE - .63" O.D. x 90.73"	1			
AMC0716	ROPE - .63" O.D. x 110.26"	1			
AMC0721	BELT - FATHER TENT #1	1			
APL2028	PLATE - 17.75" x 3.00" x 7 GA	5			
APL2255	PLATE - ROPE CAP	9			
APL2265	PLATE - 6.75" x 1.50" x 7 GA	11			
APL2275	PLATE - 11.50" x 1.50" x 12 GA	6			
APL2276	PLATE - 15.50" x 1.50" x 12 GA	4			
ASY0451	PLAYFORM 7 END CAP ASSEMBLY	2			
ATM0241	2.00" O.D. x 5.66" TUBE	15			
BAD0085	THREAD LOCKING ADHESIVE	5			
BAE0161	NUT - 1/4"-20 x 7/16" BUTTON HEAD	28			
BAE0595	WASHER - 3/8" SAE FLAT	120			
BAE0600	WASHER - 1" O.D. FLAT	10			
BAE0632	NUT - 3/8"-16 x 1.25 BARREL w/PATCH	2			
BAE0659	BOLT - 3/8"-16 x .75" BUTTON HEAD - SS	36			
BAE0664	BOLT - 3/8"-16 x 1.00" BUTTON HEAD - SS	16			
BAE0666	BOLT - 3/8"-16 x 1.25" BUTTON HEAD - SS	78			
BAE0900	WRENCH - 5/32" SHORT HEX KEY	1			
BAE0902	TOOL - 7/32" SHORT HEX KEY WRENCH	1			
BAE0922	TOOL - TT 45 L WRENCH	2			



This page is
intentionally left blank.



Fasteners

- Inspect for loose fasteners. Tightening torque specifications are: Bolts and Nuts: Snug tighten and tighten an additional one-half turn.
- If during the maintenance process a bolt needs to be removed from a part or parts, it will be necessary to apply a drop of liquid thread lock / loctite to the bolt before reinstallation.
- Inspect for missing, worn or broken fasteners. If any missing, worn or broken fasteners are found, refer to the installation instructions for proper replacement fastener. If any damage is detected, barricade equipment to prevent use until repair is completed. Contact your sales representative immediately for a replacement part.

Castings

- Inspect the aluminum castings to insure they are properly secured to the component.
- Visually inspect the castings for cracks or breakage. If any damage is detected, barricade the equipment to prevent use until repair is completed. Contact your sales representative immediately for a replacement part.

Welds

- Inspect all welded joints. If any broken welds are detected, barricade equipment to prevent use until repair is completed. Contact your sales representative immediately for a replacement part.

Rope

- Inspect the rope for any fraying, wear or loose connectors.

Mats

- Inspect the mats for any tears or loose connectors.

Finish

- Inspect metal parts for finish damage. To repair painted surfaces, sand damaged area with sandpaper and wipe clean. Mask area and paint with primer and allow to dry. Paint primed area with color-matching paint and allow to dry. Recoat area with color-matching paint if required. Drying time is approximately 8 hours between coats.

Footings

- Inspect component to be solid in, or on, the footings and secure. If any damage is detected, barricade equipment to prevent use until repair is completed.

Surfacing

- Refer to the specific surfacing maintenance detail sheet for additional information.

Replacement Parts

- Refer to your installation instructions to obtain replacement part number.
- Contact your sales representative or call Playworld Systems' Customer Service for a replacement part.

Equipment Maintenance Playworld Systems® Models XX0701 and XX0701S PlayForm 7 Father In-Ground and Surface Mount



Inspection Form

Preventive Maintenance

... for Safety's Sake!

- Be sure that you are using a copy of this Inspection Form and not your original.
- Use the Inspection Codes listed below and record condition of equipment at time of examination on the Inspection Checklist.
- Document any item from the Inspection Checklist that will require maintenance along with any corrective action on the Maintenance Schedule.
- Be sure to include appropriate dates and signatures on each section to properly document maintenance procedure.

INSPECTION CHECKLIST

	Frequency	Inspection Code	Date	Date Repairs Completed
Inspect the rope for damage.	Medium			
Inspect the mats for damage.	High			
Inspect metal parts for structural and finish damage.	Medium			
Inspect for loose, missing, worn, or broken fasteners.	High			
Inspect footing to insure support is secure and footing is not damaged.	Low			
Inspect surfacing to insure proper depth and distribution.	High			

Inspection Codes P = Pass F = Fail NA = Not Applicable

Inspector: Name (Please Print) _____ Signature: _____ Date: ___ / ___ / ___

MAINTENANCE SCHEDULE

Item in Question	Description of Problem	Corrective Action	Date

Repairer: Name (Please Print) _____ Signature: _____ Date: ___ / ___ / ___

