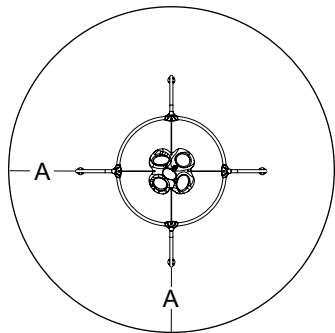


Installation Instructions
Playworld Systems[®]
Models XX0149 and XX0149S
Vaquero
In-Ground and Surface Mount



Assembly View (representative model)




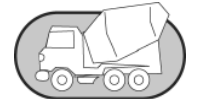
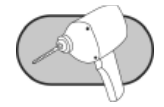


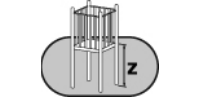


Equipment Use Zone
A - (ASTM) 72 in. (1830 mm)
(CSA) 1800 mm
(EN) 1000 mm

Installation Preparation

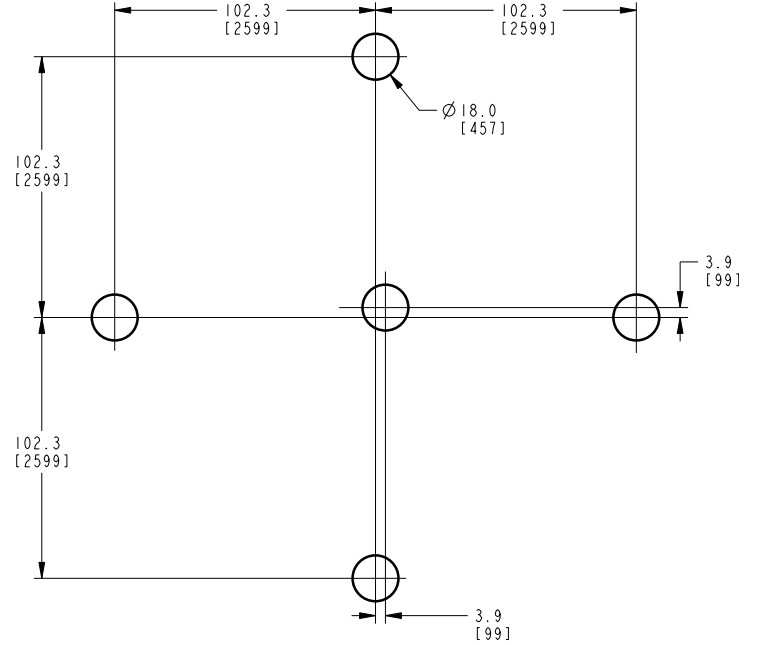
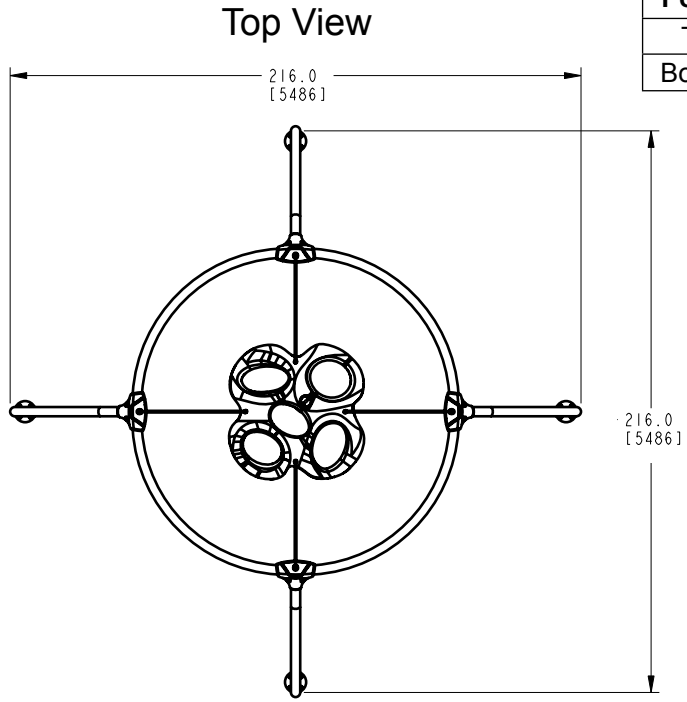
Recommended Crew: Four (4) adults
Installation Time: 8 man-hours (in-ground)
..... 4 man-hours (surface mount)
Concrete Required (in-ground): 0.65 cubic yard (0,50 cubic meters)
Use Zone:..... Refer to the information below
User Group Age (years): ASTM/CSA: 5-12, EN: 6-14

ICON KEY

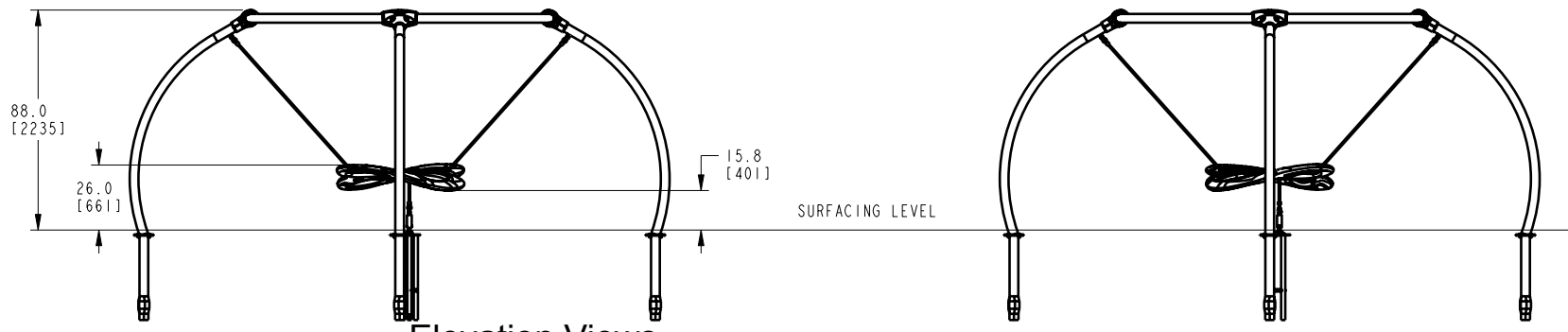
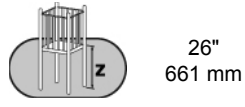
	Fully Tighten Hardware		Add 1 Drop of Thread Locking Adhesive
	Do Not Fully Tighten Hardware		Pour Concrete
	Drill		Dig Footing Holes
	Hammer		Critical Fall Height

Installation Instructions

KEY	
Position	Unit of Measurement
Top #	Inches
Bottom #	[Millimeters]



**Footings Diagram
(Both Models)**

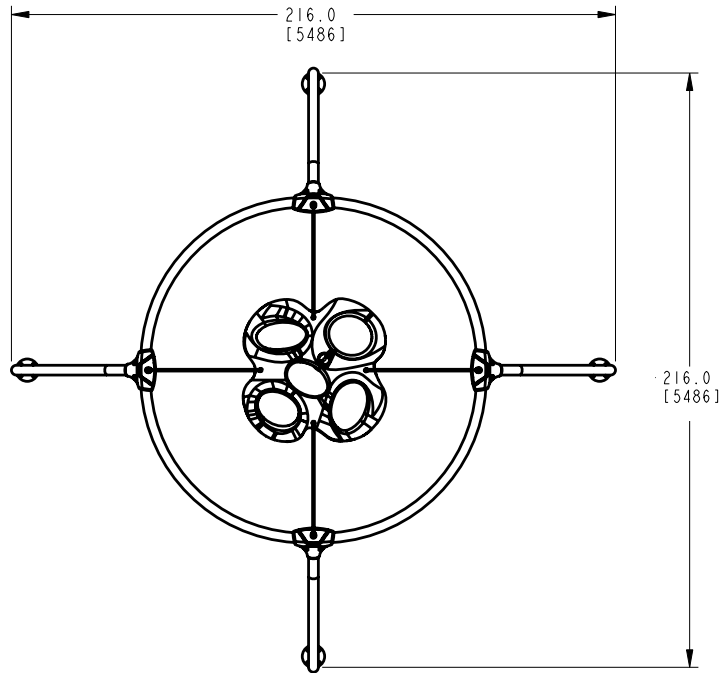


**Elevation Views
XX0149**

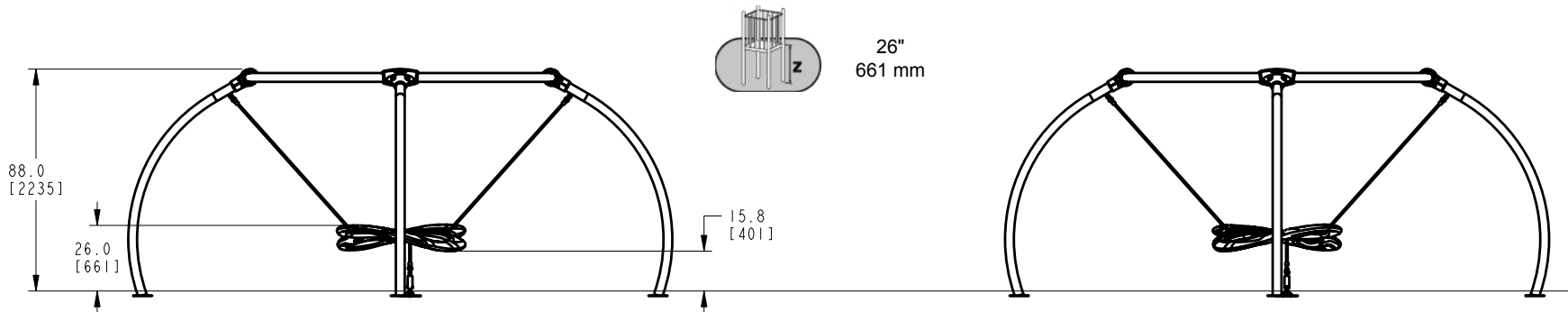


Installation Instructions

Top View



KEY	
Position	Unit of Measurement
Top #	Inches
Bottom #	[Millimeters]

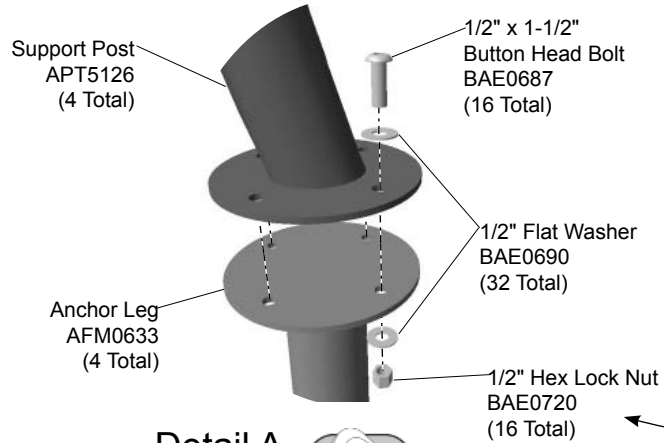


Elevation Views
XX0149



Installation Instructions

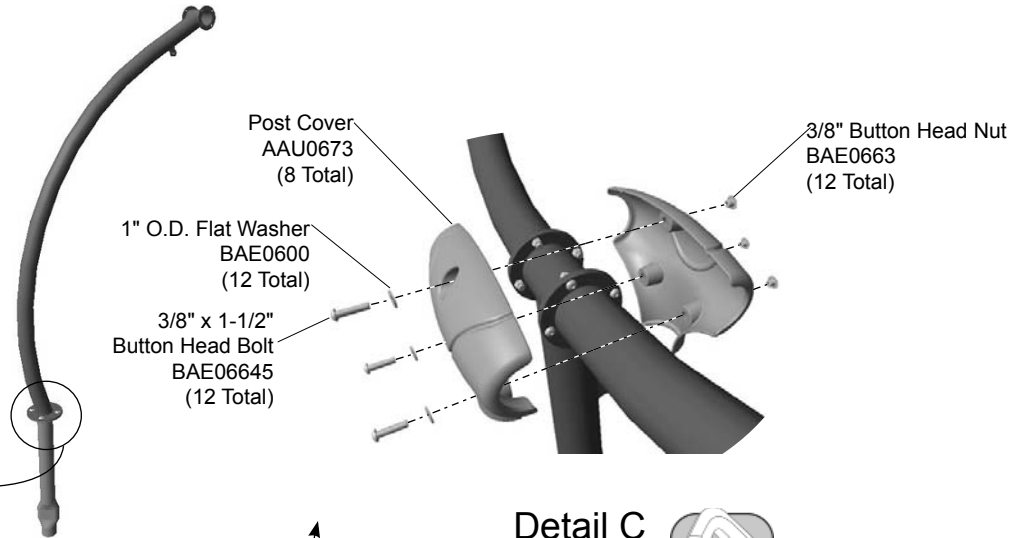
Follow the details in alphabetical order. For clarification, each detail references the step description. The step descriptions start on page 9.



Detail A
Step 4

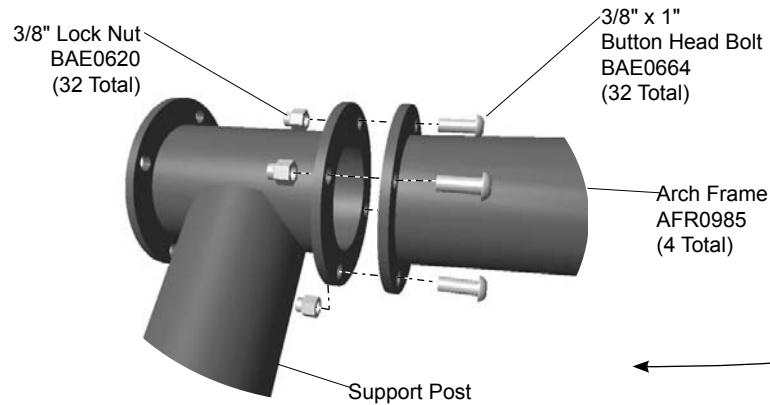
(in-ground model only)

Attach the anchor legs to the support posts.



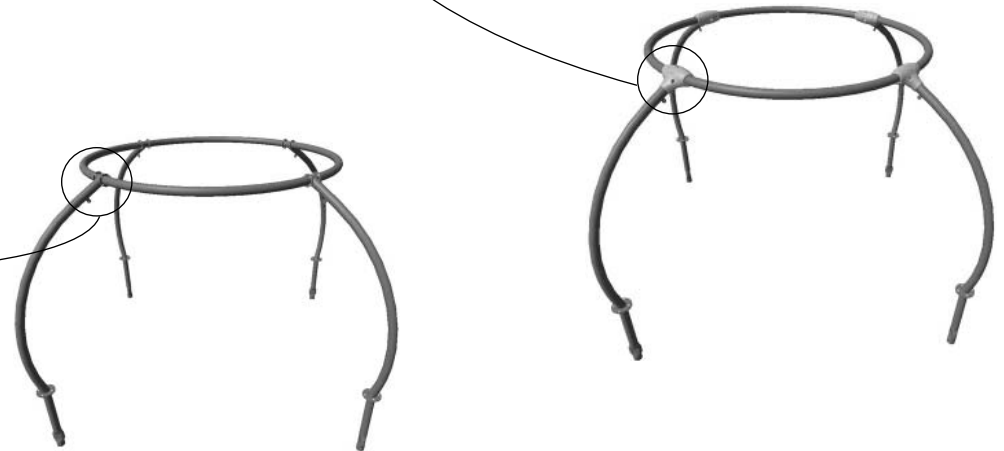
Detail C
Step 6

Attach the post covers to the arch frames and support posts.

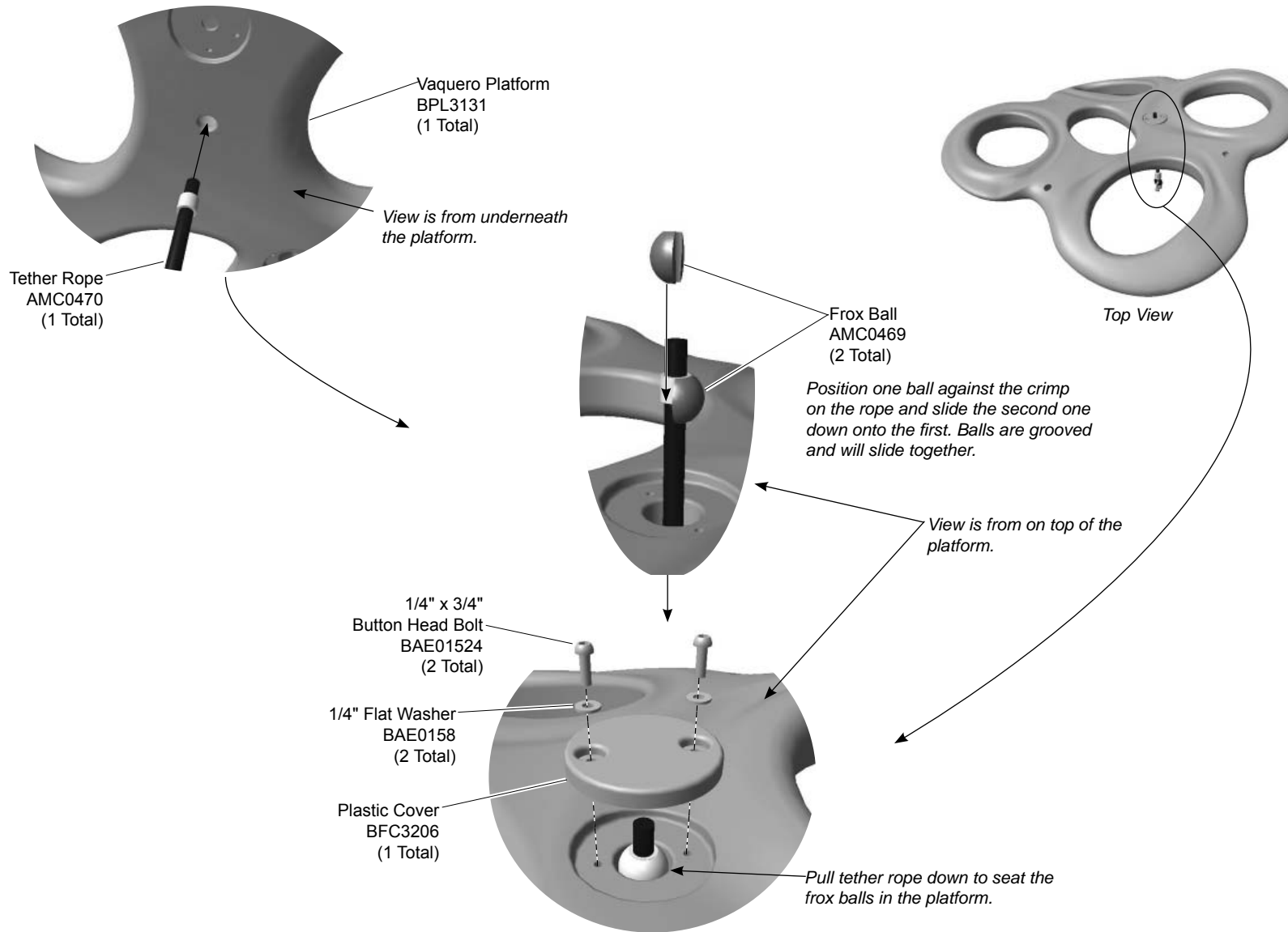


Detail B
Step 5

Attach the arch frames to the top of the support posts.

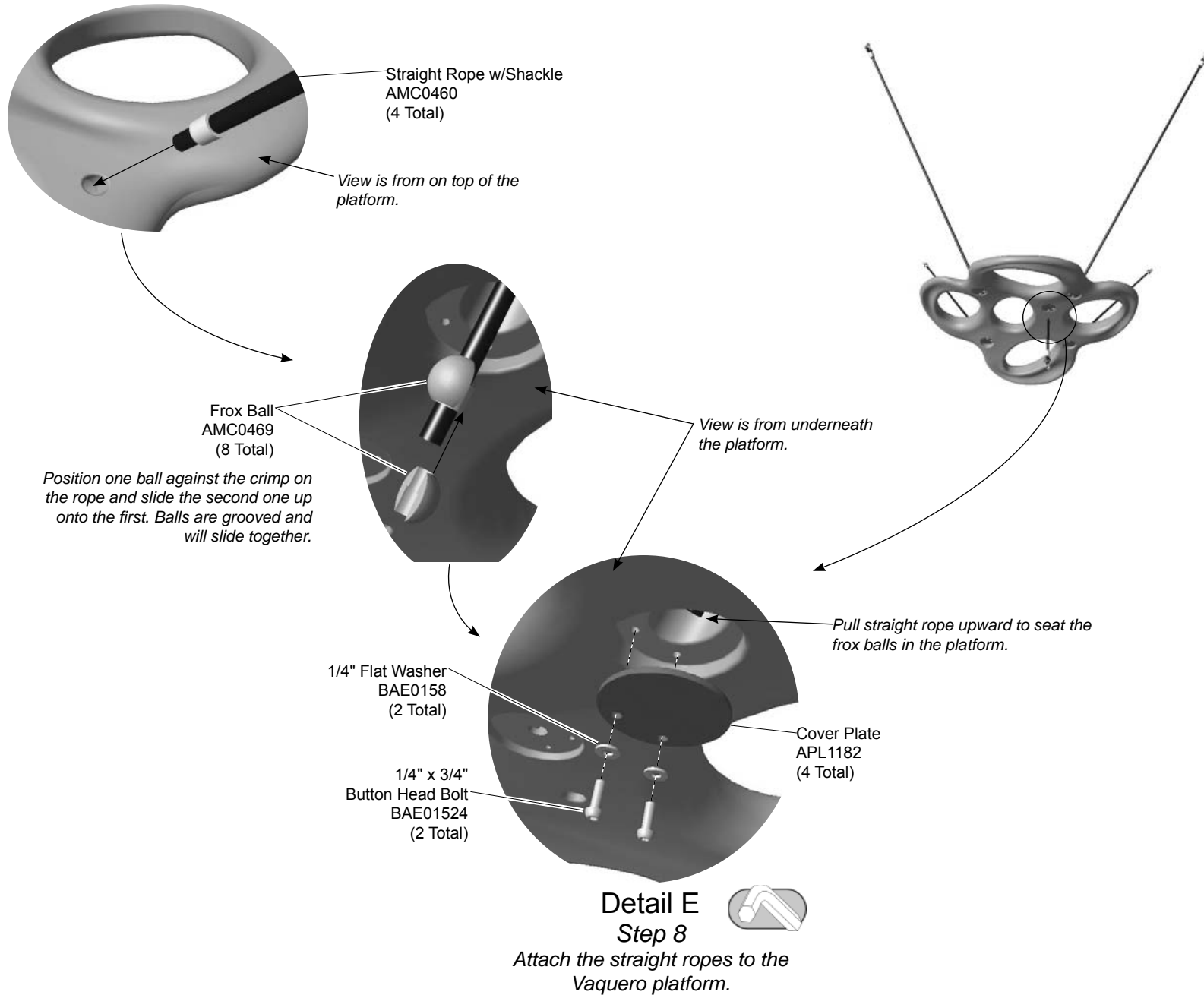


Installation Instructions

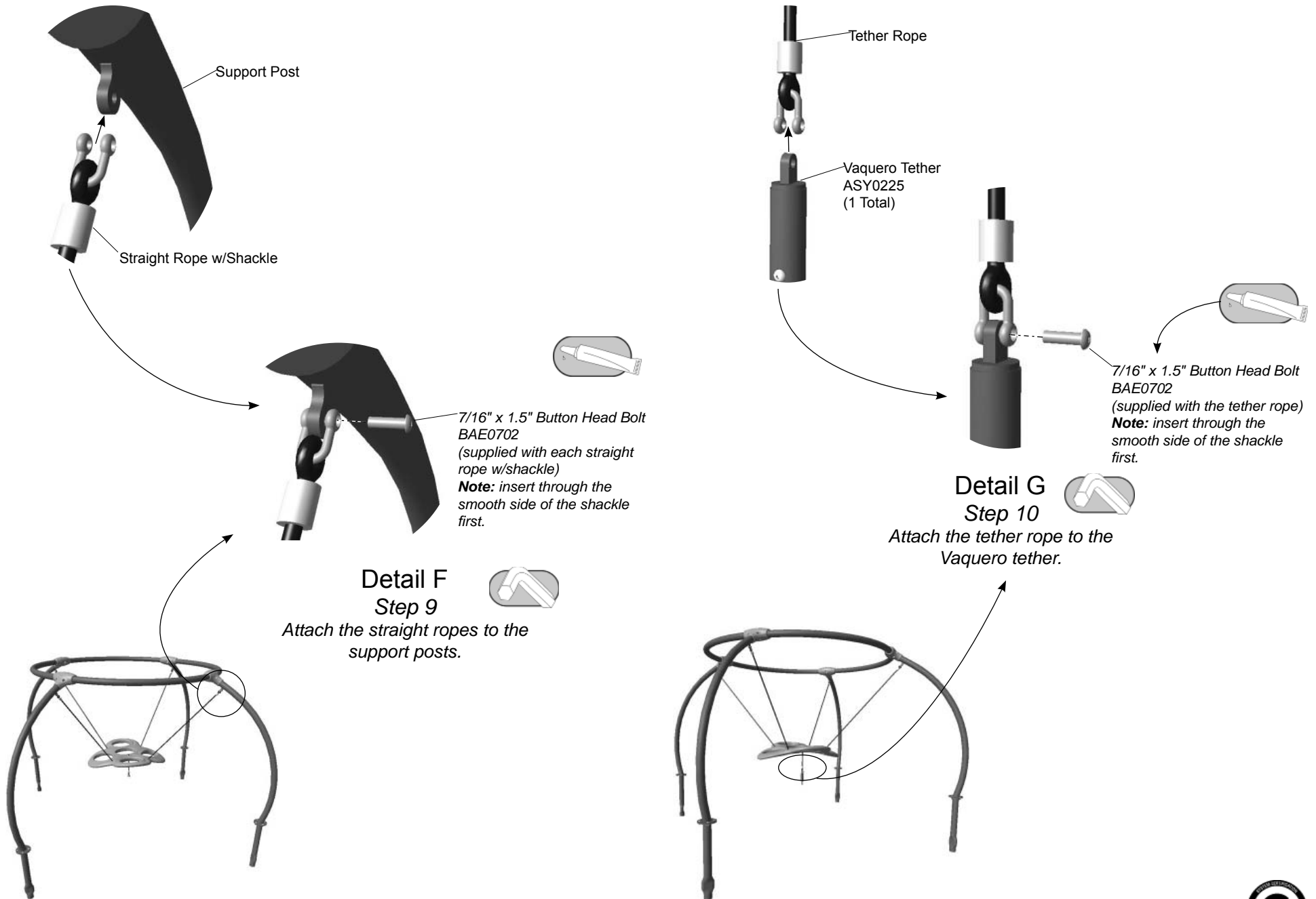


Detail D 
Step 7
Attach the tether rope to the
Vaquero platform.

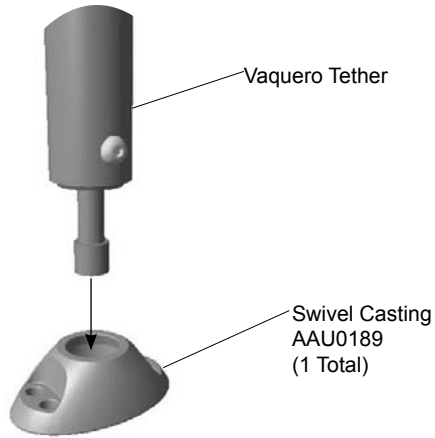
Installation Instructions



Installation Instructions



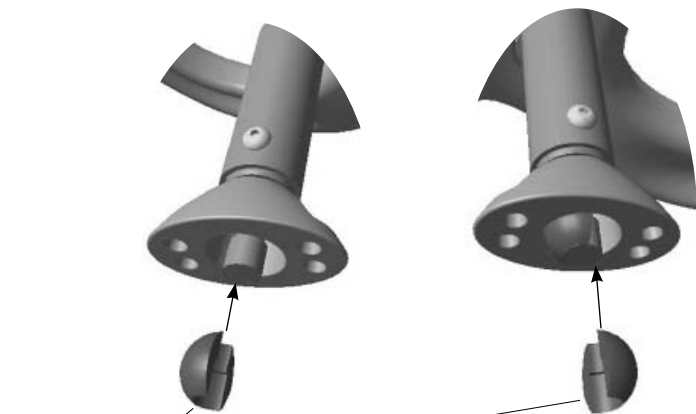
Installation Instructions



Vaquero Tether

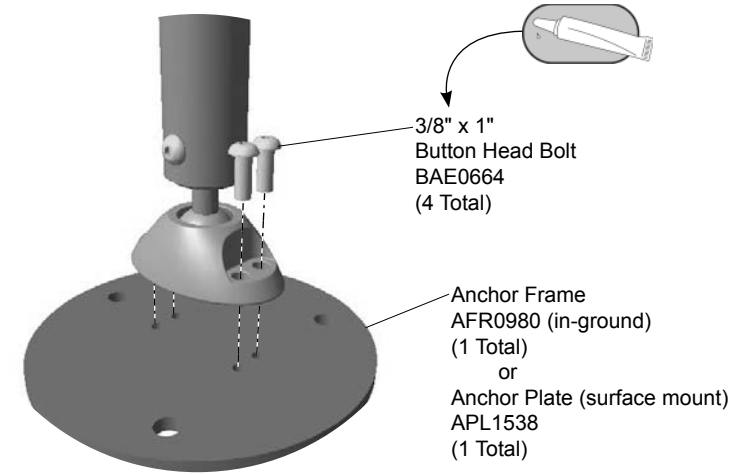
Swivel Casting
AAU0189
(1 Total)

Place the end of the tether through the swivel casting.



Frox Ball
AMC0469
(2 Total)

Position one ball against the crimp on the rope and slide the second one up onto the first. Balls are grooved and will slide together.



3/8" x 1"
Button Head Bolt
BAE0664
(4 Total)

Anchor Frame
AFR0980 (in-ground)
(1 Total)
or
Anchor Plate (surface mount)
APL1538
(1 Total)

Detail H

Step 11



Attach the Vaquero tether to the anchor.

Installation Instructions

Notes Before You Begin: Do not over tighten bolts during assembly, only snug tighten them until assembly is complete unless otherwise specified.

Carefully read and understand these installation instructions before you begin.

Step 1: Before attempting to assemble your equipment, please review all installation information carefully. Should you experience any difficulty during the installation process, please call us at the phone number shown on the last page of these instructions.

Step 2: Separate and identify all components and hardware.

Step 3: Excavate / prepare footings as shown in the **Support Post Footing Details (In-Ground Model) or Surface Mount Details** on Pages 11 & 12 of this document.

Step 4: (*In-Ground Model only*) Attach the anchor legs to the support posts. See **Detail A**. Position the top of the anchor leg against the bottom of the support post and attach as shown. Fully tighten the connections according to tightening torque specifications.

Torque Specifications:

Bolts and nuts - Snug tighten and then tighten an additional one half turn.

Step 5: Attach the arch frames to the top of the support posts. See **Detail B**. Position each end of an arch frame against a support post and attach as shown. Fully tighten the connections according to tightening torque specifications.

Step 6: Attach the post covers to the arch frames and support posts. See **Detail C**. Position a pair of post covers around the frames and posts and attach as shown. Fully tighten the connections according to tightening torque specifications. Place the Vaquero frame in or on it's footing.

Step 7: Attach the tether rope to the Vaquero platform. See **Detail D**. Insert the open end of the rope up through the non recessed hole in the bottom of the platform until it's sticking out the top. Position one Frox ball against the crimp on the rope and slide the second ball down onto the first. The balls are grooved and will slide together. Pull the rope down to seat the Frox balls and rope into the recessed hole in the platform. Position the plastic cover over the recessed area and attach as shown. Fully tighten the connections according to tightening torque specifications.

Step 8: Attach the straight ropes with shackles to the Vaquero platform. See **Detail E**. Insert the open end of each rope down through a non recessed hole in the top of the platform until it's sticking out the bottom. Position one Frox ball against the crimp on each rope and slide the second ball down onto the first. The balls are grooved and will slide together. Pull the rope up to seat the Frox balls and rope into the recessed hole in the platform. Position a cover plate over each recessed area and attach as shown. Fully tighten the connections according to tightening torque specifications.

Step 9: Attach the straight ropes with shackles to the support posts. See **Detail F**. Remove the bolt from each shackle and place the shackle over a post tab. Apply a drop of thread locking adhesive to the bolt threads, insert each bolt into the smooth side of shackle and thread into the other side. Fully tighten the connections according to tightening torque specifications.

Step 10: Attach the Vaquero tether to the tether rope. See **Detail G**. Remove the bolt from the shackle and place the shackle over the tab on the tether. Apply a drop of thread locking adhesive to the bolt threads and insert the bolt into the smooth side of shackle and thread into the other side. Fully tighten the connections according to tightening torque specifications.

Step 11: Attach the tether rope to the anchor. See **Detail H**. Place the end of the tether through the swivel casting. Position one ball against the crimp on the rope and slide the second one up onto the first. Balls are grooved and will slide together. Apply a drop of thread locking adhesive to the bolt threads and attach as shown. Fully tighten the connections according to tightening torque specifications.

Final Details.

Step 12: Plumb and level the component.

In-Ground: Block and brace for concrete. Pour concrete after all equipment has been assembled. Allow 72 hours for concrete to completely cure.

Surface Mount: Bolt down all surface mount supports in accordance with specifications provided by your registered structural engineer.

Important Note: Surface mount hardware is not supplied. Customer is responsible for concrete base and for providing surface mount hardware as specified by a registered structural engineer for each specific project application.

Step 13: For areas complying with ASTM standard F1487 or the CSA Z-614, apply the age appropriate label to the component at eye level.

XX0149 - VAQUERO

PART NO.	DESCRIPTION	QTY.
AAU0189	SINGLE SWIVEL CASTING	1
AAU0673	CASTING - NEOS 360 TOP	8
AFM0633	ANCHOR - 3-1/2" O.D. x 34.00" W/ 8.00" DIA. PLATE	4
AFR0980	FRAME - 9.00" x 34.25"	1
AFR0985	FRAME - EQUILIBRIUM ARCH	4
AMC0460	74.3" STRAIGHT ROPE w/SHACKLE AND CRIMP	4
AMC0469	1/2 OF 2-PART FROX BALL	12
AMC0470	TETHER ROPE	1
APL1182	PLATE - 3.38" O.D. w/2 HOLES	5
APT5126	POST - EQUILIBRIUM	4
ASY0225	EUQUILIBRIUM TETHER	1
BAD0085	THREAD LOCKING ADHESIVE	1
BAE01524	BOLT - 1/4"-20 x 3/4" BUTTON HEAD - SS	12
BAE0158	WASHER - 1/4" SAE FLAT	12
BAE0600	WASHER - 1" O.D. FLAT	12
BAE0620	NUT - 3/8"-16 LOCK W/NYLON CAP	32
BAE0663	NUT - 3/8"-16 x 7/16" BUTTON HEAD	12
BAE0664	BOLT - 3/8"-16 x 1" BUTTON HEAD - SS	36
BAE06645	BOLT - 3/8"-16 x 1-1/2" BUTTON HEAD - SS	12
BAE0687	BOLT - 1/2"-13 x 1.50" BUTTON HEAD - SS	16
BAE0690	WASHER - .531" ID x 1.250" O.D. x .060" THICK	32
BAE0720	NUT - 1/2"-13 LOCK	16
BAE0900	WRENCH - 5/32" SHORT HEX KEY	1
BAE0906	TOOL - 5/16" SHORT HEX KEY WRENCH	1
BAE0910	TOOL - 1/4" SHORT HEX KEY WRENCH	1
BAE0922	TOOL - TT 45 L WRENCH	1
BFC3206	SHEET - 4.13" O.D. w/2 HOLES	1
BPL3131	EQUILIBRIUM PLATFORM	1
ALB0025	LABEL - AGE APPROPRIATE SHEET	1

XX0149S - VAQUERO SURFACE MOUNT

PART NO.	DESCRIPTION	QTY.
AAU0189	SINGLE SWIVEL CASTING	1
AAU0673	CASTING - NEOS 360 TOP	8
AFR0985	FRAME - EQUILIBRIUM ARCH	4
AMC0460	74.3" STRAIGHT ROPE w/SHACKLE AND CRIMP	4
AMC0469	1/2 OF 2-PART FROX BALL	12
AMC0470	TETHER ROPE	1
APL1182	PLATE - 3.38" O.D. w/2 HOLES	5
APL1538	PLATE - .38" x 9.00" O.D.	1
APT5126	POST - EQUILIBRIUM	4
ASY0225	EUQUILIBRIUM TETHER	1
BAD0085	THREAD LOCKING ADHESIVE	1
BAE01524	BOLT - 1/4"-20 x 3/4" BUTTON HEAD - SS	12
BAE0158	WASHER - 1/4" SAE FLAT	12
BAE0600	WASHER - 1" O.D. FLAT	12
BAE0620	NUT - 3/8"-16 LOCK W/NYLON CAP	32
BAE0663	NUT - 3/8"-16 x 7/16" BUTTON HEAD	12
BAE0664	BOLT - 3/8"-16 x 1" BUTTON HEAD - SS	36
BAE06645	BOLT - 3/8"-16 x 1-1/2" BUTTON HEAD - SS	12
BAE0900	WRENCH - 5/32" SHORT HEX KEY	1
BAE0910	TOOL - 1/4" SHORT HEX KEY WRENCH	1
BAE0922	TOOL - TT 45 L WRENCH	1
BFC3206	SHEET - 4.13" O.D. w/2 HOLES	1
BPL3131	EQUILIBRIUM PLATFORM	1
ALB0025	LABEL - AGE APPROPRIATE SHEET	1

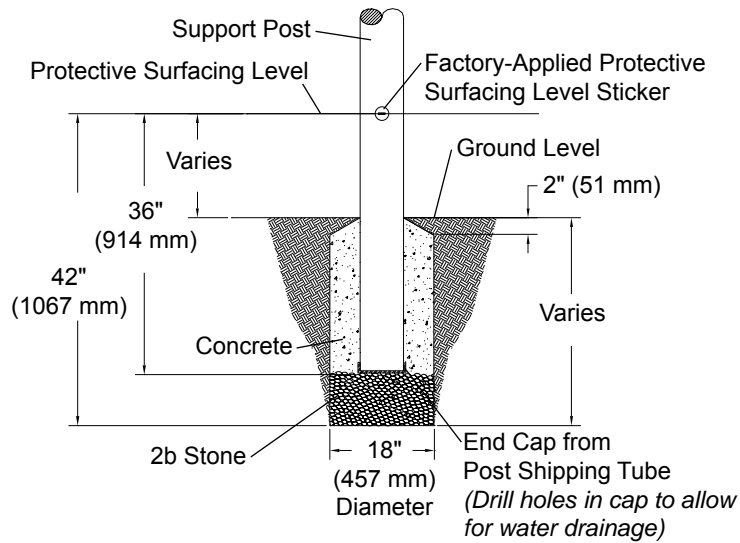


The world needs play.

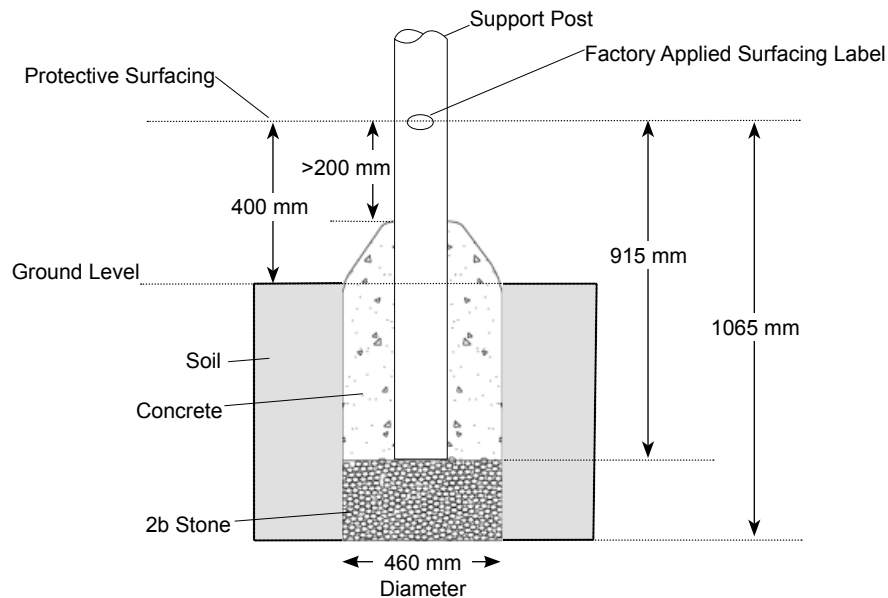
For Customer Service, Call
800-233-8404 or
570-522-9800 OUTSIDE U.S.
 1000 Buffalo Road • Lewisburg, PA 17837
www.playworldsystems.com



Installation Instructions



Support Post Footing Detail (ASTM/CSA)

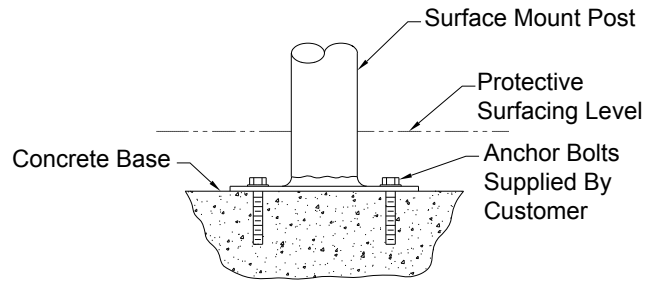


Footing Detail Support Post (EN)

FOOTING NOTES

- Support post footing depth equals 42 in. (1067 mm) less the depth of the protective surfacing material. The post is designed to have 24" (610 mm) in concrete.
Example: If 12 in. (305 mm) of wood mulch is used for surfacing, the footing depth would be 30 in. (762 mm).
- All support posts and component support legs shall have either a factory-applied sticker with line, or factory-applied mark designating protective surfacing level on a clear and level installation site.
- If play structure is installed on uneven terrain, maintain support post mark at protective surfacing level at lowest grade. Adjust other footings accordingly. Support posts and all attaching decks and play components must be plumb and level.
- Do not encase bottom of support post in concrete. Place post directly on packed stone.
- The footings shown on Playworld Systems' documentation are recommendations based on historical performance in average soil conditions. Footing dimensions may be modified by the owner based on actual soil conditions.
For example:
 - If local soil is loose or unstable, a larger footing may be required.
 - If local soil is considered stable, such as bedrock, clay or hard packed earth, a smaller footing may be used. Before changing footing dimensions, we strongly recommend that the footings be reviewed and approved by a registered engineer.
- Base of footing must be below frost line.
- Assemble the entire structure before pouring concrete unless specifically instructed to do so in the individual component installation instructions.

Installation Instructions



Surface Mount Footing Detail

FOOTING NOTES

- All support posts and component support legs shall have either a factory-applied sticker with line, or factory-applied mark designating protective surfacing level on a clear and level installation site.
- If play structure is installed on uneven terrain, maintain support post mark at protective surfacing level at lowest grade. Adjust other footings accordingly. Support posts and all attaching decks and play components must be plumb and level.
- Footing size may vary due to local soil and weather conditions.
- Base of footing must be below frost line.
- Comparison of protective surfacing materials is available in [Handbook for Public Playground Safety](#) published by U. S. Consumer Product Safety Commission.

Surface mount hardware is not supplied. Customer is responsible for concrete base and providing surface mount hardware as specified by a registered structural engineer for each specific project application.

Fasteners

- Inspect for loose fasteners. Tightening torque specifications are:
Bolts and Nuts: Snug tighten and tighten an additional one-half turn.
- If during the maintenance process a bolt needs to be removed from a part or parts, it will be necessary to apply a drop of liquid thread lock / loctite to the bolt before reinstallation.
- Inspect for missing, worn or broken fasteners. If any missing, worn or broken fasteners are found, refer to the installation instructions for proper replacement fastener. If any damage is detected, barricade equipment to prevent use until repair is completed. Contact your sales representative immediately for a replacement part.

Vaquero Platform

- Inspect all plastic surfaces for sharp points, cracks or jagged edges. If any damage is detected and is determined to be unsafe, barricade equipment to prevent use until repair is completed. Minor burrs or sharp edges may be removed by using a sharp utility knife or block plane to remove sharp burr.

Castings

- Inspect the castings to insure they are properly secured to the component.
- Visually inspect the castings for cracks or breakage. If any damage is detected, barricade the equipment to prevent use until repair is completed. Contact your sales representative immediately for a replacement part.

Welds

- Inspect all welded joints. If any broken welds are detected, barricade equipment to prevent use until repair is completed. Contact your sales representative immediately for a replacement part.

Finish

- Inspect metal parts for finish damage. To repair painted surfaces, sand damaged area with sandpaper and wipe clean. Mask area and paint with primer and allow to dry. Paint primed area with color-matching paint and allow to dry. Recoat area with color-matching paint if required. Drying time is approximately 8 hours between coats.

Footings

- Inspect component to be solid in footing and secure. If any damage is detected, barricade equipment to prevent use until repair is completed.

Surfacing

- Refer to the specific surfacing maintenance detail sheet for additional information.

Replacement Parts

- Refer to your installation instructions to obtain replacement part number.
- Contact your sales representative or call Playworld Systems' Customer Service for a replacement part.

Equipment Maintenance Playworld Systems® Models XX0149 and XX0149S Vaquero In-Ground and Surface Mount



(representative model)



PLAYWORLD
The world needs play.™

For Customer Service, Call
800-233-8404 or
570-522-9800 OUTSIDE U.S.
1000 Buffalo Road • Lewisburg, PA 17837
www.playworldsystems.com

Inspection Form

Preventive Maintenance

... for Safety's Sake!

- Be sure that you are using a copy of this Inspection Form and not your original.
- Use the Inspection Codes listed below and record condition of equipment at time of examination on the Inspection Checklist.
- Document any item from the Inspection Checklist that will require maintenance along with any corrective action on the Maintenance Schedule.
- Be sure to include appropriate dates and signatures on each section to properly document maintenance procedure.

INSPECTION CHECKLIST

	Frequency	Inspection Code	Date	Date Repairs Completed
Inspect plastic parts for damage.	Medium			
Inspect post covers for tightness and damage.	High			
Inspect metal parts for structural and finish damage.	Medium			
Inspect for loose, missing, worn, or broken fasteners.	High			
Inspect footing to insure support is secure and footing is not damaged.	Low			
Inspect surfacing to insure proper depth and distribution.	High			

Inspection Codes
P = Pass F = Fail
NA = Not Applicable

Inspector: Name (Please Print) _____ Signature: _____ Date: ___ / ___ / ___

MAINTENANCE SCHEDULE

Item in Question	Description of Problem	Corrective Action	Date

Repairer: Name (Please Print) _____ Signature: _____ Date: ___ / ___ / ___



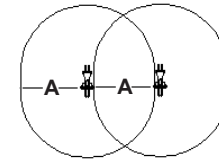
Important ! Please Read Completely Before Beginning Installation. According to a report published by the U. S. Consumer Product Safety Commission (C.P.S.C.) 72% of all playground injuries result from accidental falls. With this in mind, this equipment is designed to fill the need for safe yet challenging play. In conjunction with design efforts to reduce the possibilities of injuries, this equipment **must** be installed "Step by Step" per our installation instructions. As a new owner you are responsible for the correct installation, safe use, and maintenance of your equipment.

Installation Guidelines

- Identify all parts and thoroughly read the assembly instructions before beginning construction.
- Refer to your playground equipment plan and footing diagram to assure the equipment purchased will fit into your selected site area. The use and no-encroachment zones around the play equipment shall be obstacle-free areas designated for unrestricted circulation.
- **ASTM compliance:** For rocking/springing equipment intended for sitting, the use zone should extend on all sides a minimum distance of 72 inches (1829 mm). This use zone may be overlapped by the use zone of other rocking/springing intended for sitting or stationary equipment when the seat or designated play surface is 30 inches (762 mm) or less from the protective surfacing level. See diagram.
- **CSA compliance:** For rocking/springing equipment intended for sitting, the use zone should extend on all sides a minimum distance of 1800 mm. The designated play surface, or seating surface must be 700 mm or less from the level of the protective surfacing. This use zone may be overlapped by the use zones of adjacent play equipment. See diagram.
- **EN Compliance:** For rocking/springing equipment intended for sitting, the use zone should extend on all sides a minimum distance of 1000 mm. This use zone may be overlapped by the use zone of other rocking/springing equipment.
- Site layout is a critical part of the overall installation. Footings must be measured and marked accurately according to the footing diagram. A level and clear installation site is ideal.

Rocking/Springing Equipment
Intended for Sitting Use Zones

A = ASTM: 72 in. (1829 mm)
CSA: 1800 mm
EN: 1000 mm



Placement of multiple Spring Riders

- Good drainage around the structure and its supports is important. Inquire with local contractors for appropriate recommendations.
- After laying out all footings and before digging holes, be sure to inquire about underground utilities that may exist.
- Do not leave the job site unattended without making sure that all fastening hardware on all components are tightened according to tightening torque specifications listed on every installation guide. We also recommend roping off construction area and covering all holes that do not contain a piece of equipment with plywood or other suitable material.
- Excavate holes as shown in the footing detail. If a level and clear site cannot be obtained, adjust the depth of footing to maintain a level footing base. If soil conditions are loose or unstable, a larger diameter footing may be required. Inquire with local contractors for appropriate recommendations. Be sure concrete that might have splashed onto the unit is washed off before it dries. Allow concrete to harden 72 hours before allowing your structure to be used. **Assemble the entire structure before pouring concrete unless specifically instructed to do so in the installation instructions.**

- Insure that Age Appropriate and Hard Surface Warning/Playworld Systems identification labels are properly affixed to the play equipment. Labels are to be plainly visible according to current playground equipment guidelines.

- **IMPORTANT!** Because accidental falls around your playground equipment can occur, Playworld Systems recommends that the area under and around the structure be covered with a resilient material such as sand, bark mulch, or wood chips. If loose fill surfacing materials are used, Playworld Systems recommends a depth of 12 in. (305 mm). An approved rubber safety matting can also be used. **Many protective surfacing materials can become compacted due to weather and use, which reduces their shock absorbency. It is strongly recommended that the surfacing be checked weekly and material added or replaced as necessary. Hard surfaces, such as asphalt, concrete and packed earth are not acceptable for use under playground equipment.**

- The entire area, under and around the playground equipment, must be covered with protective surfacing material. The impact attenuation of the protective surfacing under and around playground equipment should be rated to have a critical height value of at least the height of the highest accessible part of the equipment. The critical height for surfacing is to be rated in accordance with A.S.T.M. standard, designated F1292, A Standard Specification for Impact Attenuation of Surface Systems Under and Around Playground Equipment. Contact the manufacturer of unitary surfacing materials (rubber matting) for the critical height rating for their products.

Tools Required: Playworld Systems supplies a service kit that contains commonly used hex key wrenches required to assemble your equipment. You may also need: shovel, digging iron, post hole digger, steel rake, wheelbarrow, garden hoe, water hose, tape measure, level, alignment tool, 3/8" ratchet with 9/16" socket, and 9/16" combination wrench.

Maintenance

- Inadequate maintenance of equipment has resulted in injuries on the playground. Because the safety of playground equipment and its stability depends on good inspection and maintenance, **a comprehensive maintenance program must be developed for each playground and strictly followed.** All equipment must be inspected frequently for any potential hazards. Special attention must be given to moving parts and other components that can be expected to wear. Inspections must to be carried out in a systematic manner by trained personnel. Any damaged or worn parts, or any other hazards identified during inspections must be repaired or replaced immediately. Complete documentation of all maintenance inspections and repairs must be retained.

Supervision Guidelines

- Playworld Systems strongly recommends close supervision of the children as they play as well as intensive classroom and home instruction about safe behavior on playground equipment.

- Playground supervisors should be aware that not all playground equipment is appropriate for all children who may use the playground. Signs should be posted near the equipment indicating the recommended age of the users. Supervisors should direct children to equipment appropriate for their age.

- It is important that playground supervisors recognize that preschool-age children require more attentive supervision on playgrounds than older children.

- Do not permit the use of wet playground equipment. Wet equipment will inhibit necessary traction and gripping capabilities. Slips or falls could occur.

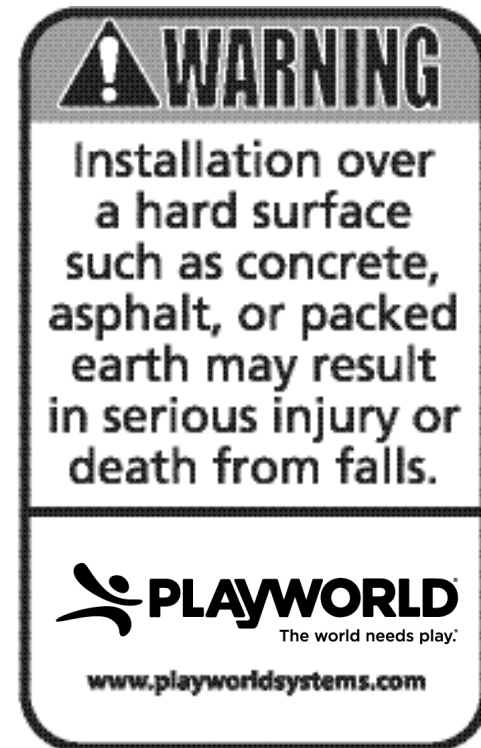
- Do not permit too many children on the same piece of equipment at the same time. It is suggested that children take turns.

- Constantly observe play patterns to discover possible hazardous play and suggest changes in equipment use or play patterns.

FINAL INSPECTION

- Playworld Systems® insists on the installation of protective surfacing within the use zone of each play structure in accordance with the applicable standard or specifications appropriate for the fall height of each structure.
- Playworld Systems® strongly recommends close supervision of children as they play. The owners of playground equipment and the parents or guardians of children are responsible for this proper supervision.
- As the owner of playground equipment, you are responsible for the maintenance of the equipment and surrounding play area. A comprehensive maintenance and inspection schedule must be developed and all equipment inspected frequently. Refer to the inspection and maintenance schedule in the back of this booklet.
- Perform a thorough final check on the installed equipment to insure all equipment is installed as specified by manufacturer's installation instructions.
 - Review all Installation Instructions for specified dimensions. Make sure dimensions called for in instructions agree with actual installation.
 - Double check height dimensions. Height measurements are taken from the top of the protective surfacing material.
 - Insure all fasteners are tightened according to tightening torque specifications listed on your installation instructions.
 - Insure all exposed pipe ends have properly installed end caps. Insure that drive rivets are secure.
 - Clean dried concrete off of components and any other affected surface.
 - Touch-up any scratches or installation damage to powder coated finish with color-matched spray paint.
 - Allow adequate time for proper curing, both for concrete and urethane cement if rubber safety surfacing tiles have been installed.
 - Insure that protective surfacing is properly installed according to C.P.S.C. (or other appropriate body) recommendations. Footings must not be exposed.

- Insure that hard surface warning/Playworld Systems® identification labels are properly affixed to the play equipment. Labels are to be plainly visible according to current playground equipment guidelines. For locations complying with ASTM F1487 or CSA Z-614, Age Appropriate labels must also be applied in a visible location.
- Dispose of all packaging material properly. These materials which include large plastic bags and sheets can be a suffocation hazard. Dispose of these materials out of reach or contact of small children.



Surfacing Warning Label