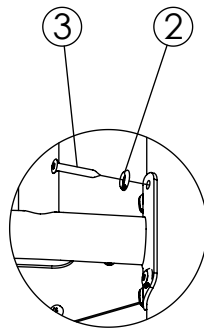
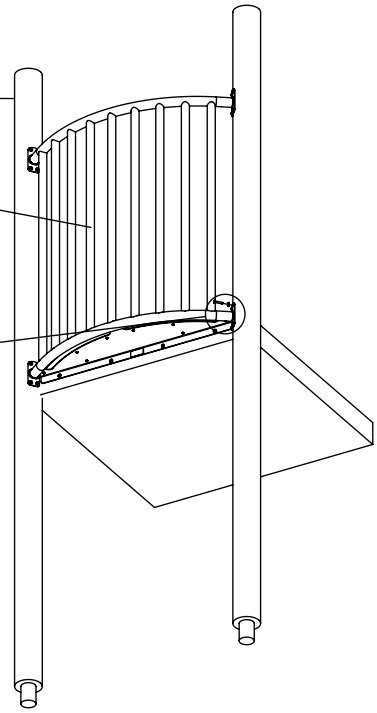


1

WOODEN POST



4x4 pcs



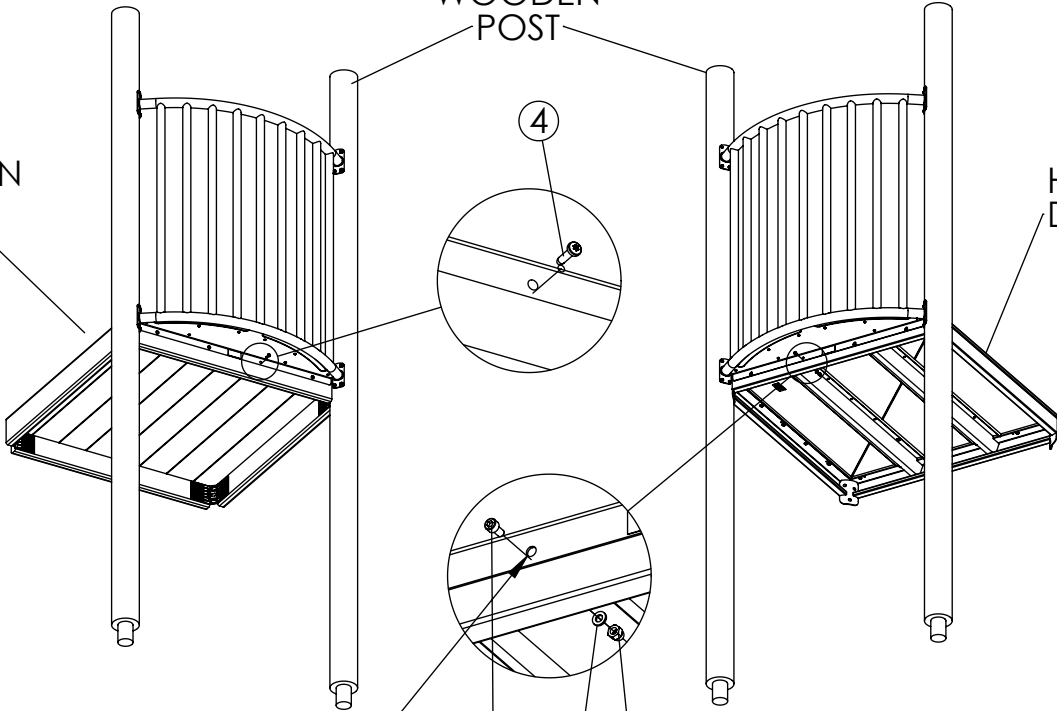
2A

WOODEN DECK

WOODEN POST

2B

HPL-DECK



5 6 7

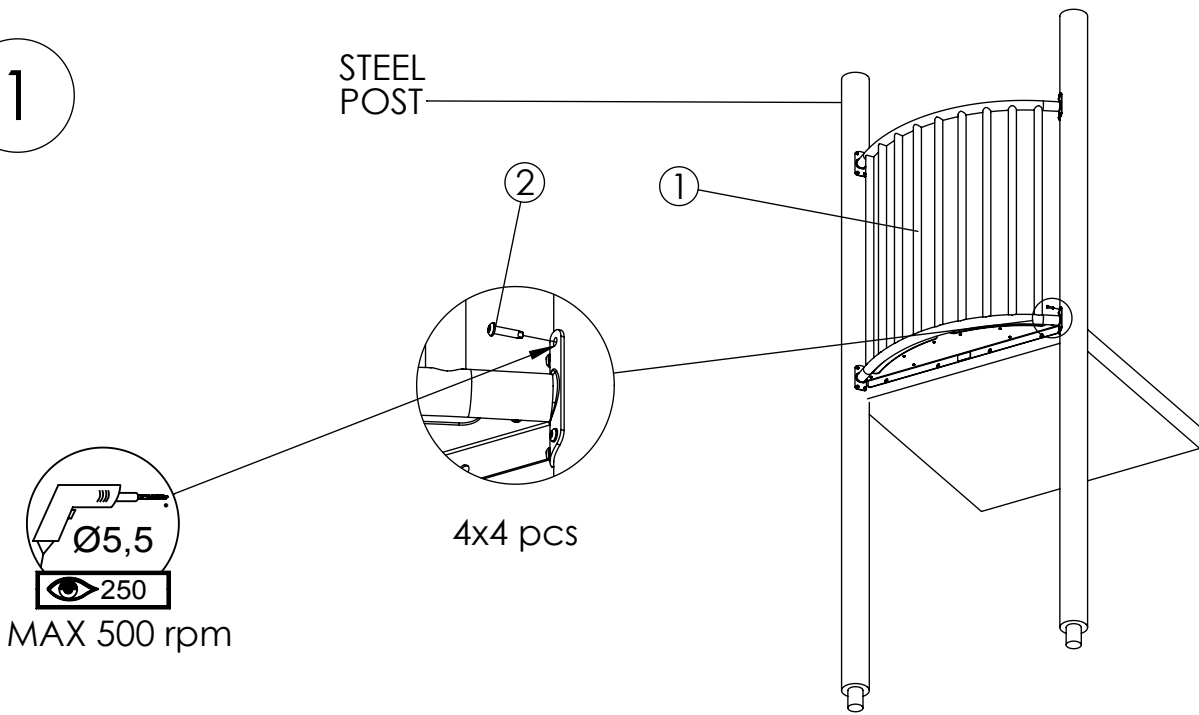
NR.	Description MA	Item Number	Qty
1	Balcony 1m	8046785	1
2	Ø6 16/7 x 3 mm	8035290	16
3	TKFT 6x40 mm	8008651	16
4	TKT 6x25 mm	8008696	4
5	MC6S 8.8 M6x12 FZY	8008468	4
6	Ø6,4x12x1,6	8008845	4
7	Dome Nut M6	8008752	4

**HAGS** ANEBY, SWEDEN  
+46(0)380-47300  
www.hags.com

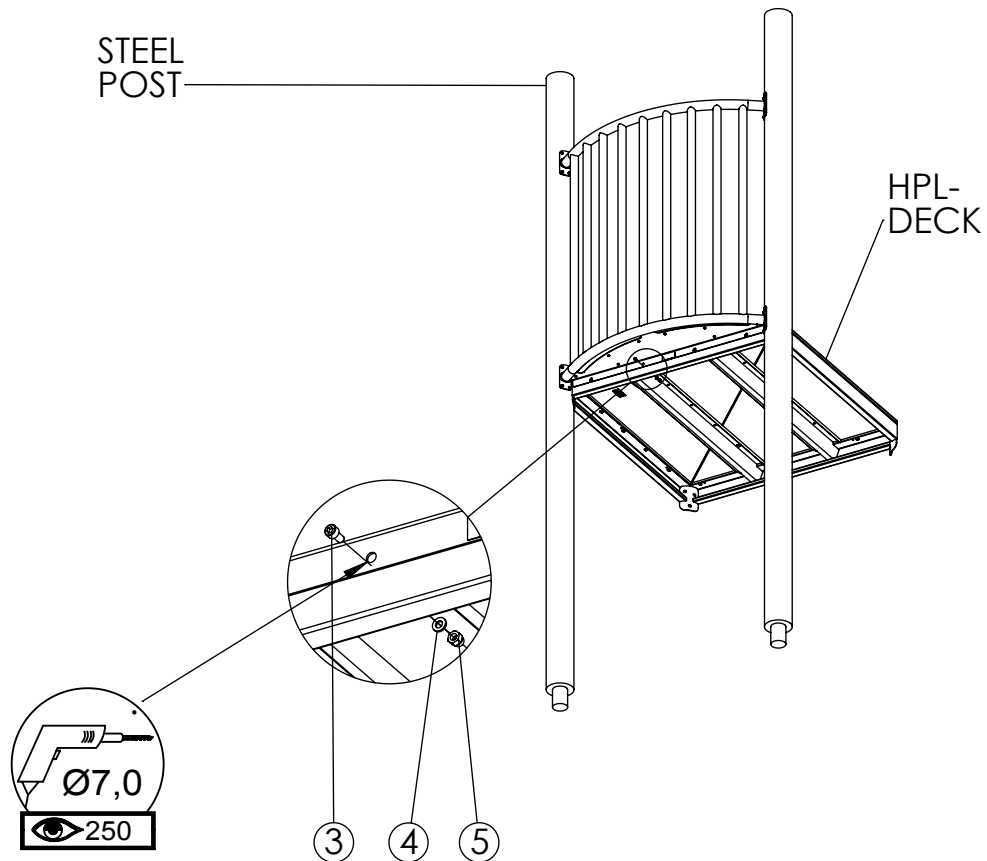
**Balcony 1m**  
**MASW34156**  
**1 ( 2 )**

SS ToB 2017-03-27 4

1



2



NR.	Description MA	Item Number	Qty
1	Balcony 1m	8046785	1
2	Screw, thr-forming M6x25-8.8-(ISO7380)	8027762	16
3	MC6S 8.8 M6x12 FZY	8008468	4
4	Ø6,4x12x1,6	8008845	4
5	Dome Nut M6	8008752	4

**HAGS** ANEBY, SWEDEN  
+46(0)380-47300  
www.hags.com

**Balcony 1m**  
**MASW34156**  
**2 ( 2 )**

🏠 SS 🔍 👁 ToB 2017-03-27 4