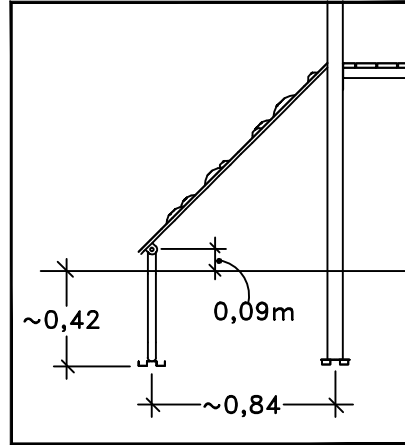
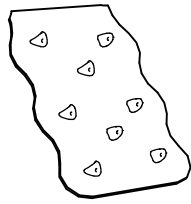
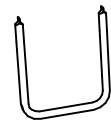

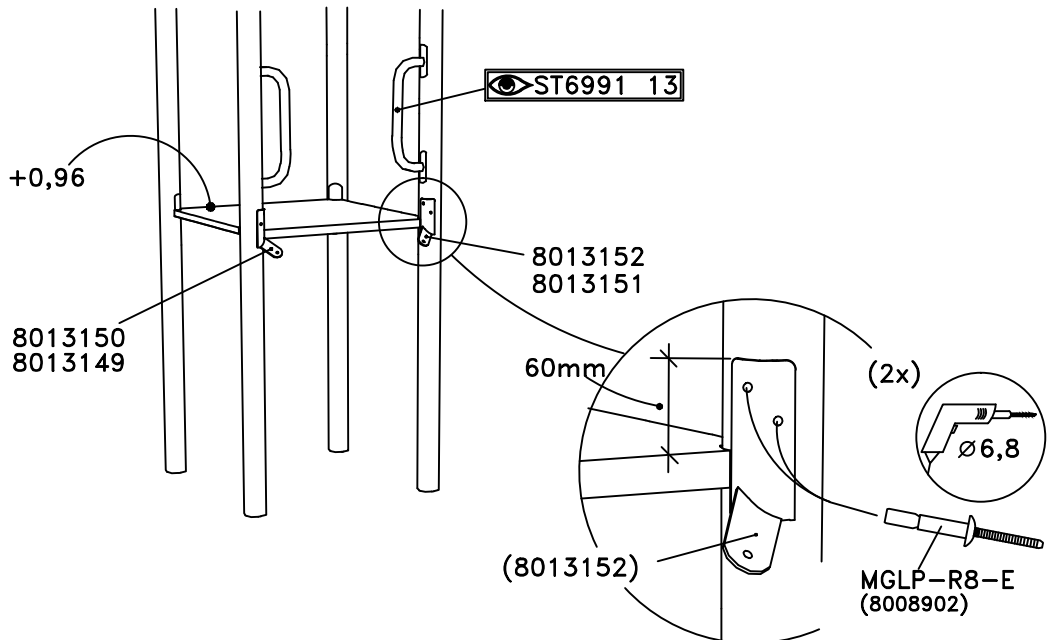


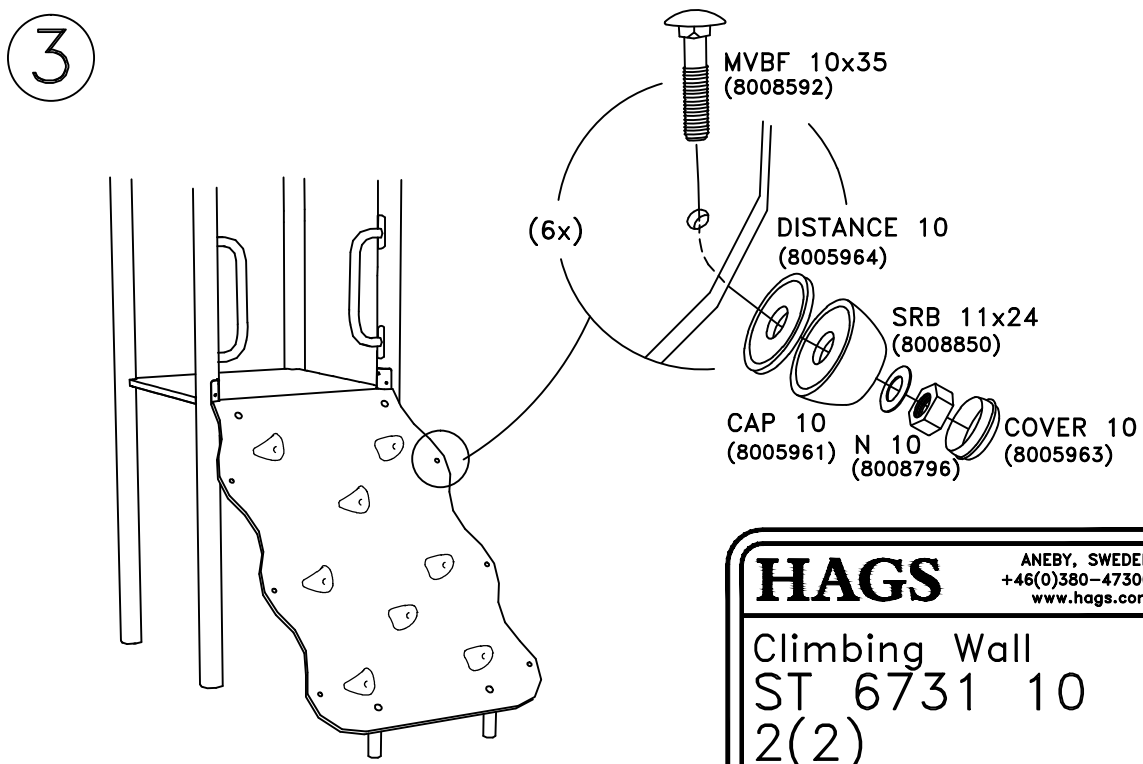
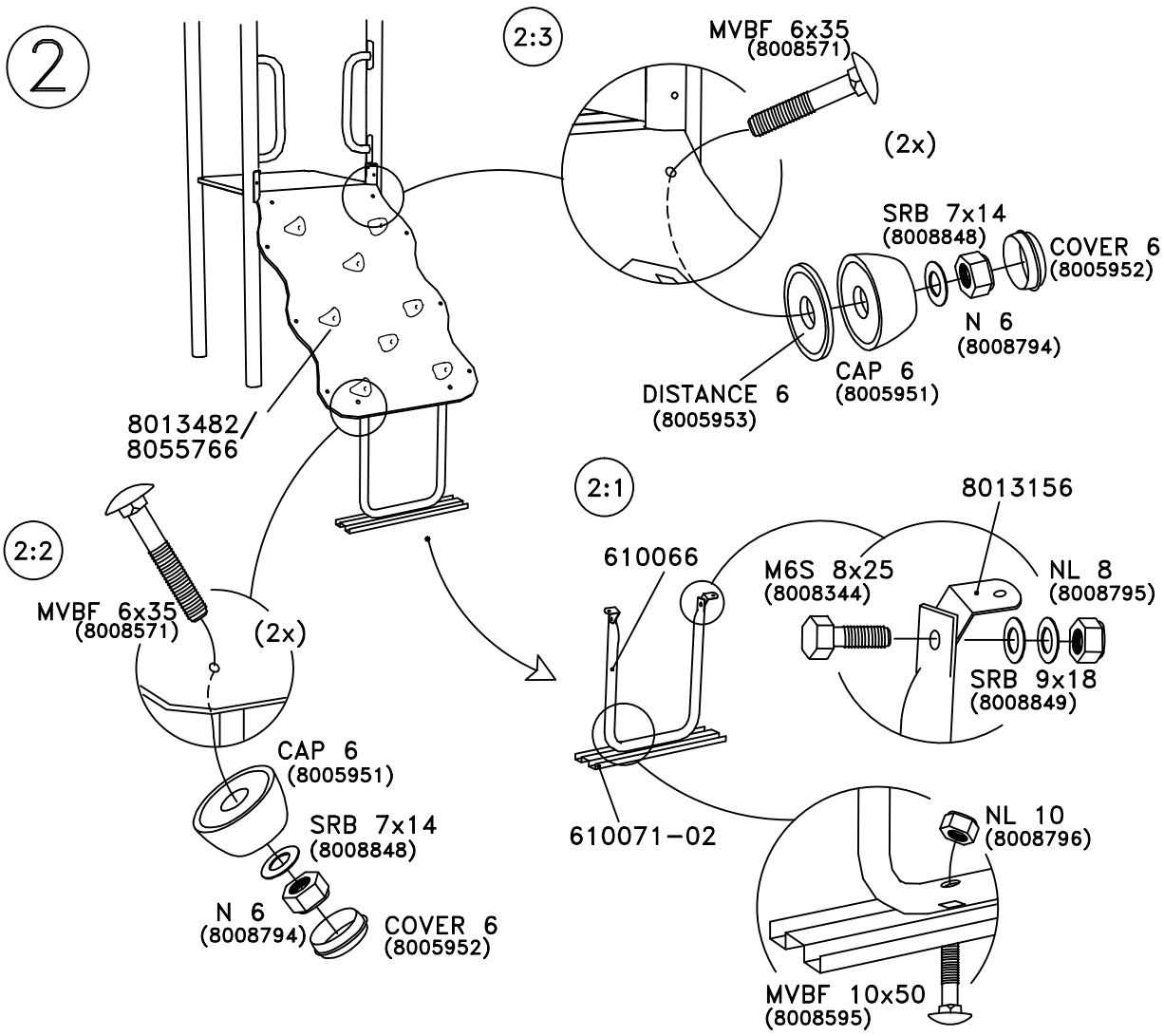
1



TYPE	HAGS.NO
 1,20x0,74m	8013482/ 8055766
 0,43x0,51m	610066
 0,62m	610071-02



HAGS		ANEBY, SWEDEN +46(0)380-47300 www.hags.com	
Climbing Wall			
ST 6731 10			
1(2)			
	MN		TB 2015-11-16 1



HAGS		ANEBY, SWEDEN	
		+46(0)380-47300	
		www.hags.com	
Climbing Wall			
ST 6731 10			
2(2)			
	MN		TB
			2015-11-16 1