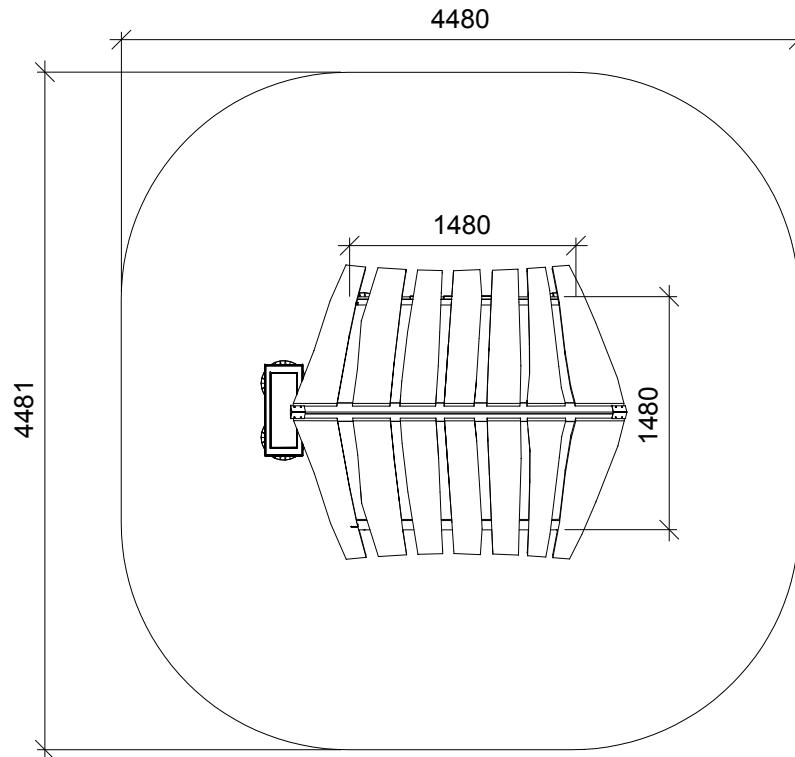
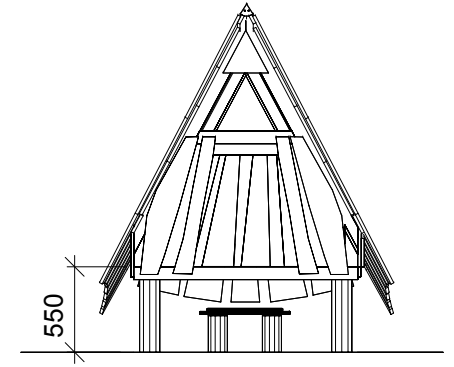
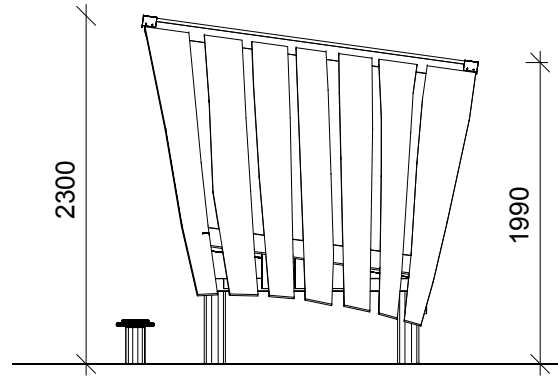
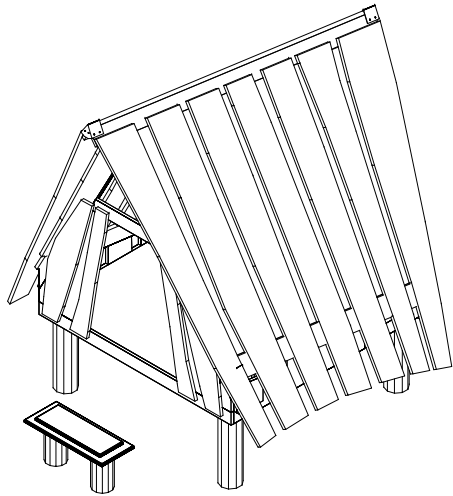


NORLEG	
Gallerhus hovedtegning	
LE 20100	
02.03.2010	REV. A: 29.10.2015

< 600



≥ EN 1176



1:50

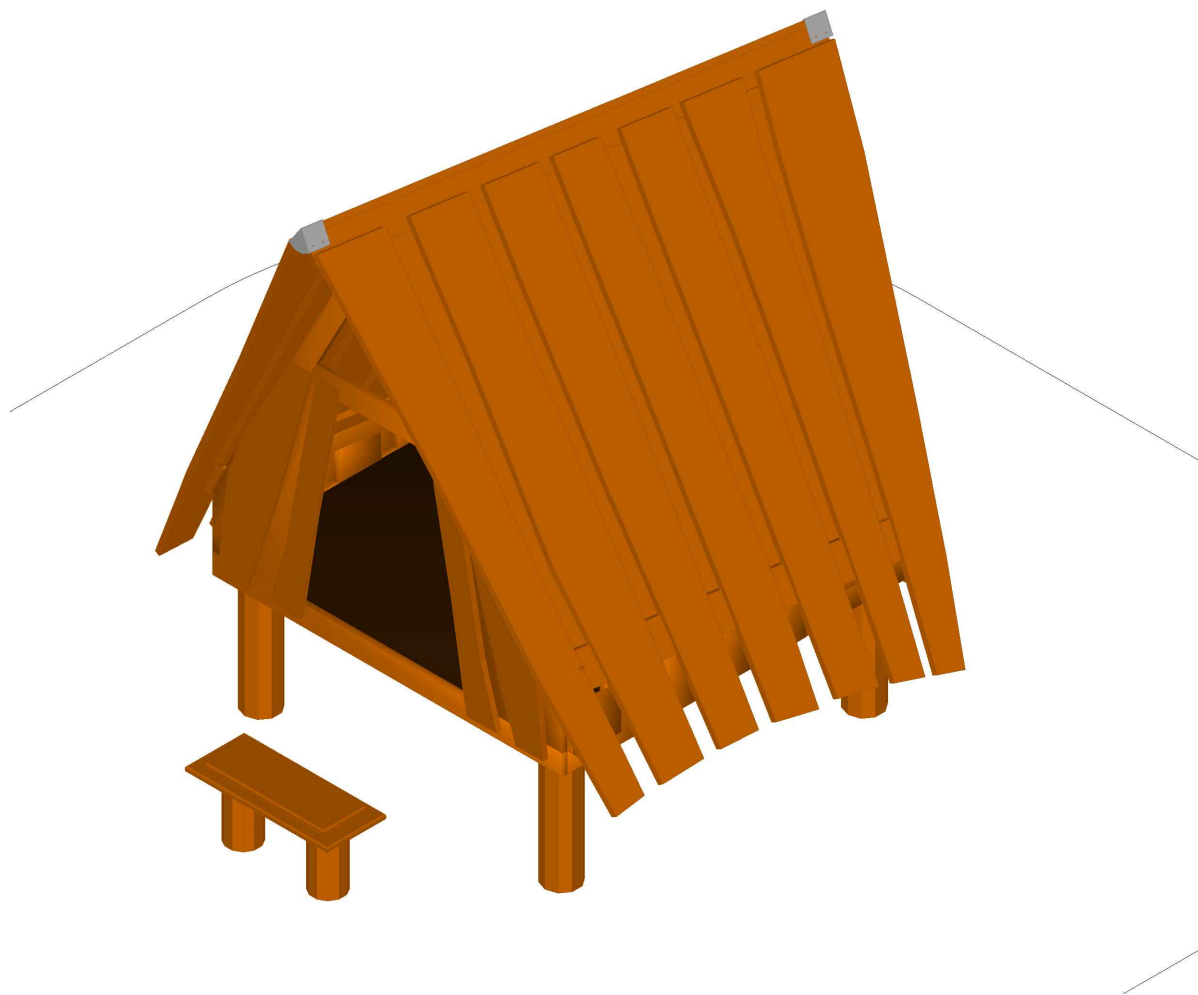
This drawing is the property of NORLEG and pursuant to current legislation may not be copied, transferred to or used by any third party. Should this drawing be used, a fee of 10% of the assumed contract price will be charged.

NORLEG - 3D	
Gallerhus hovedtegning	
LE 20100	
02.03.2010	REV. -

< 600



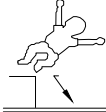
≥ EN 1176



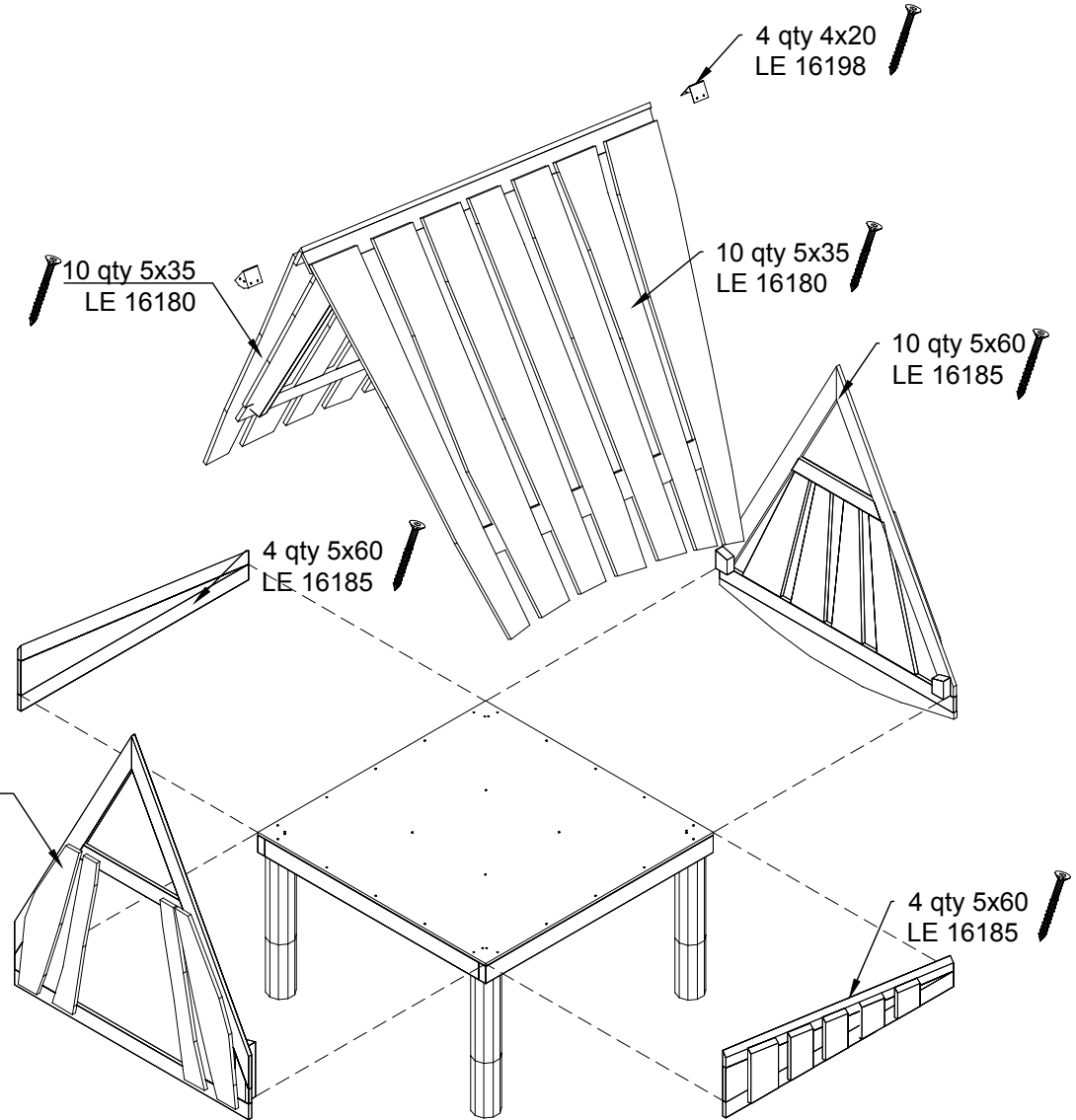
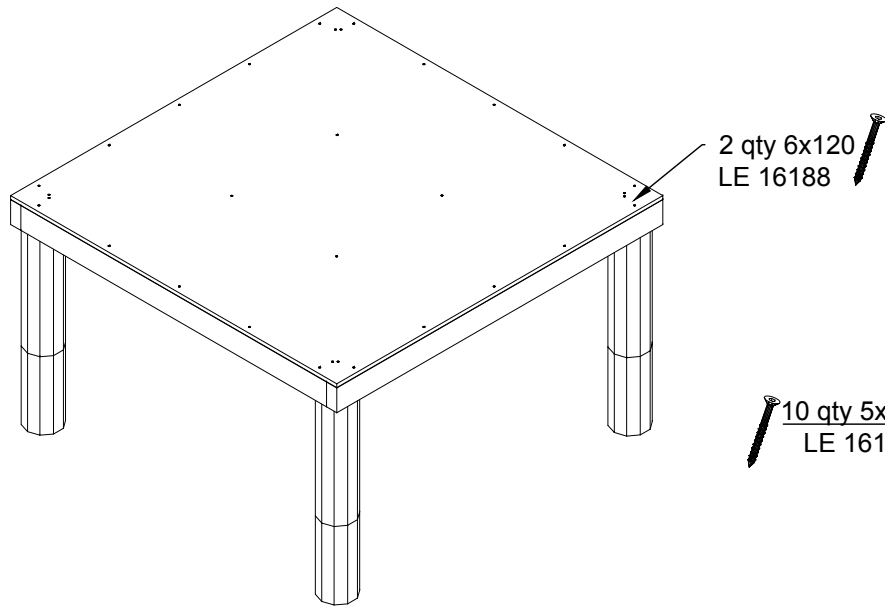
This drawing is the property of NORLEG and pursuant to current legislation may not be copied, transferred to or used by any third party. Should this drawing be used, a fee of 10% of the assumed contract price will be charged.

NORLEG - Mont.	
Gallerhus	
LE 20100	
02.03.2010	REV. -

< 600



≥ EN 1176

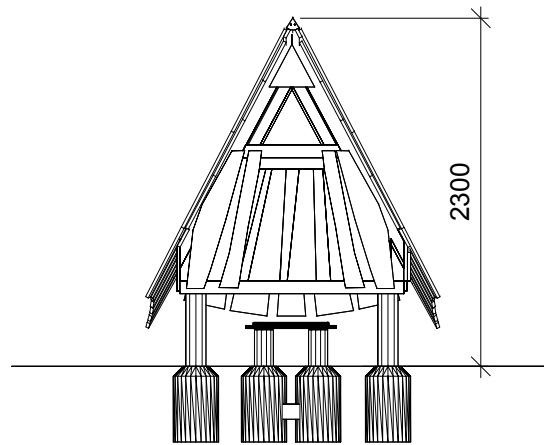
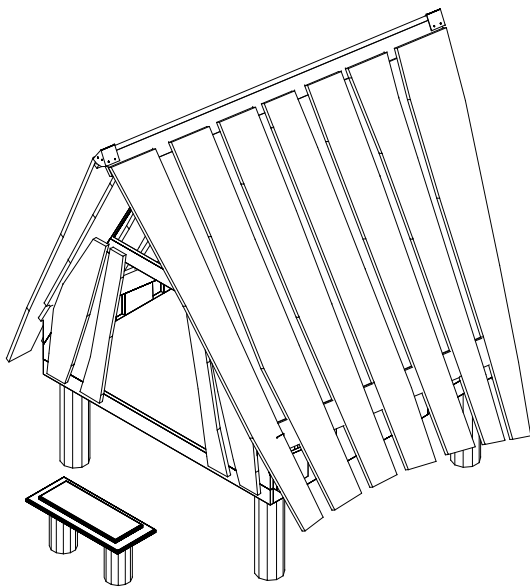


This drawing is the property of NORLEG and pursuant to current legislation may not be copied, transferred to or used by any third party. Should this drawing be used, a fee of 10% of the assumed contract price will be charged.

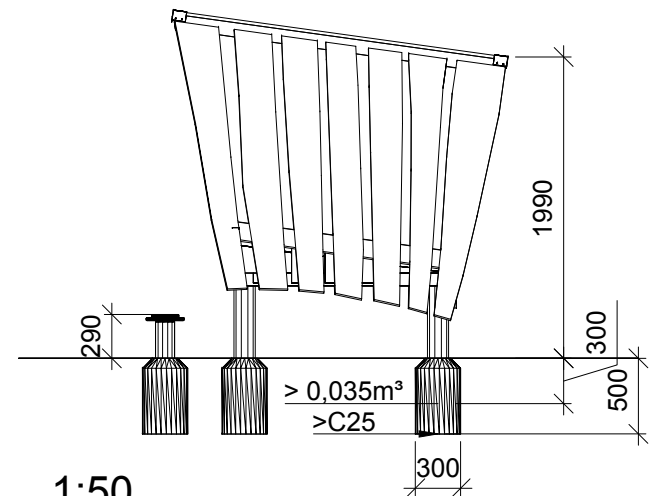
NORLEG - Mont.	
Gallerhus	
LE 20100	
02.03.2010	REV. 21.01.2016

< 600

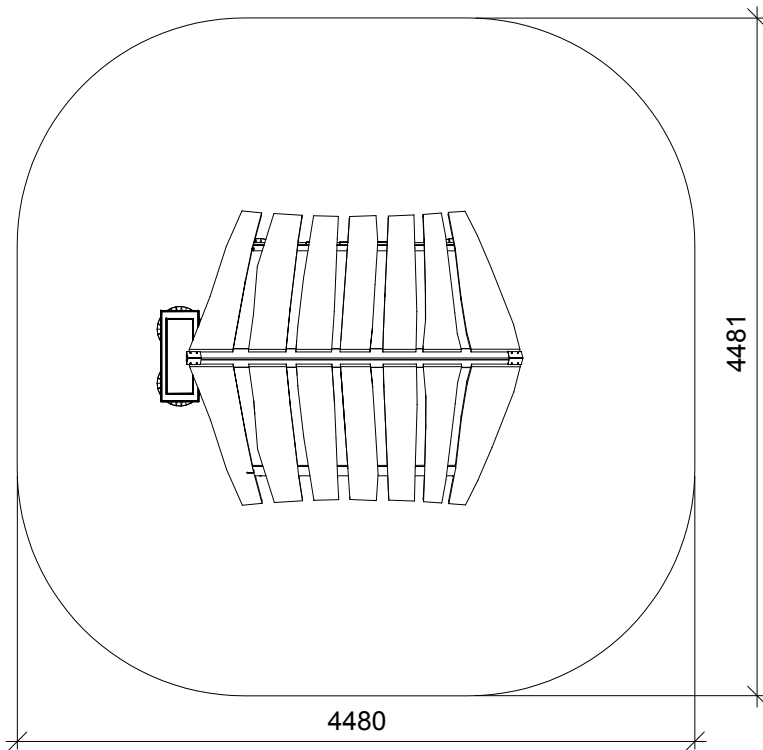
≥ EN 1176



1:50



1:50



1:50

This drawing is the property of NORLEG and pursuant to current legislation may not be copied, transferred to or used by any third party. Should this drawing be used, a fee of 10% of the assumed contract price will be charged.