

POS-NR  
POS-NO

ART-NR  
ART-NO

ANTAL/QUANTITY  
MENGE/QUANTITE

STEP 1  
14200010

14100010  
14100015  
14160055  
14160056

2  
2  
1  
1

142651

14165110  
14165111  
14165112

1  
1  
2

STEP 2  
142643

14100001  
14100005  
14164310

2  
1  
1

142692

14100005  
14168210  
14169210  
14169211  
14169212

2  
1  
1  
1  
1

STEP 3  
142661

14100005  
14110016  
14166210

2  
1  
1

142676

14167610  
1444049

1  
1



21h



Varje vecka  
Every week  
Jede woche  
Chaque semaine



Varje säsong  
Every season  
Jedes Jahr  
Chaque saison

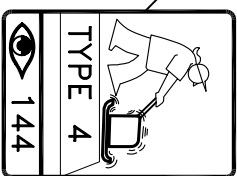
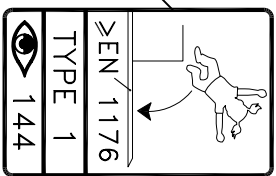
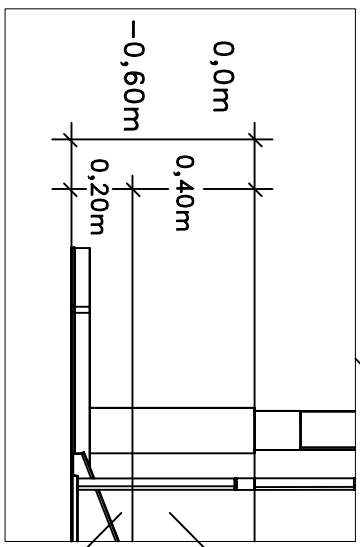
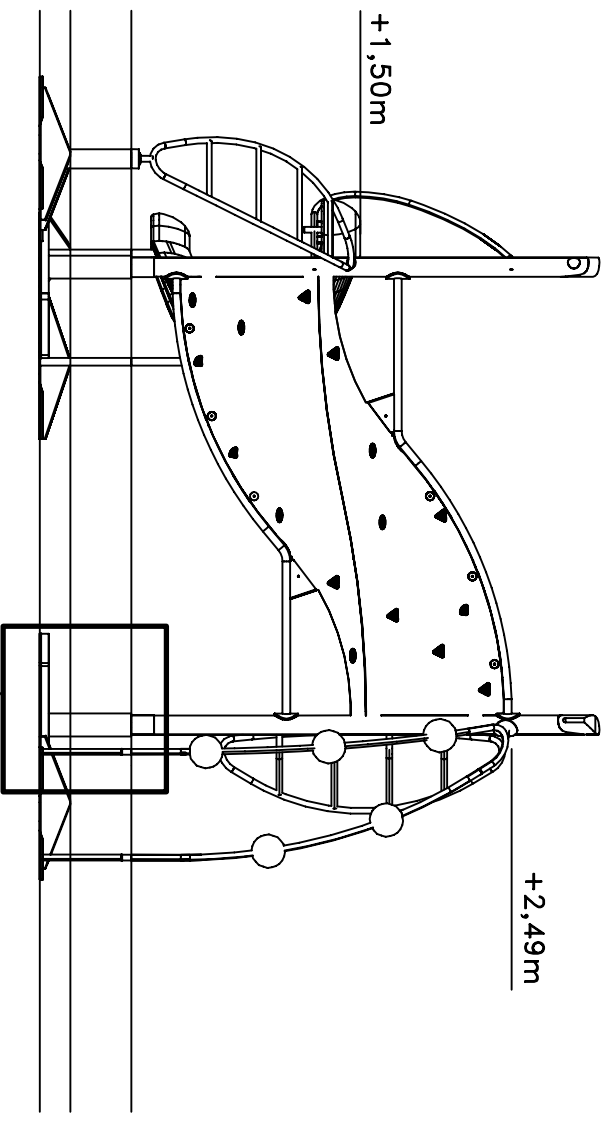


5-12

**HAGS** ANEBY, SWEDEN  
+46(0)380-47300  
www.hags.com

Joz  
144404  
I(IV)

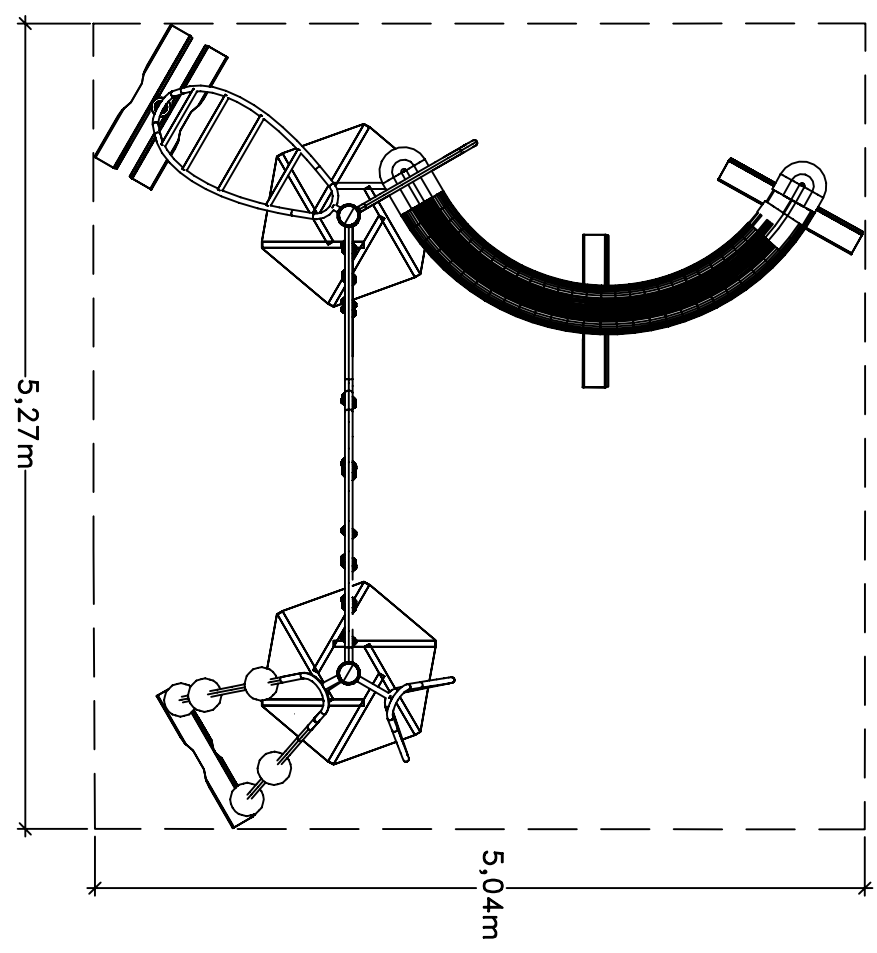
UD MN 2007-08-23 1



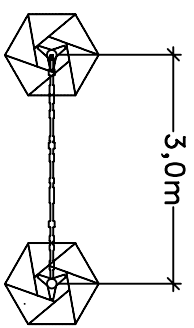
**HAGS**  
 ANEBY, SWEDEN  
 +46(0)380-47300  
 www.hags.com

Joz  
 144404  
 II(IV)

UD MN



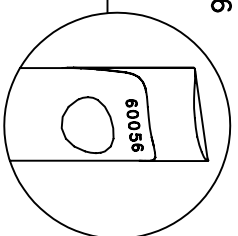
# STEP 1



60055

142651

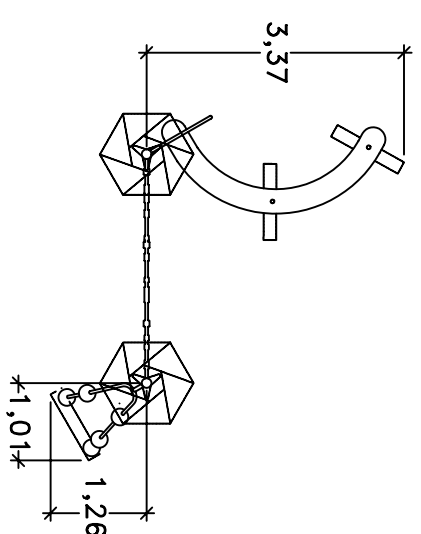
60056



14200010

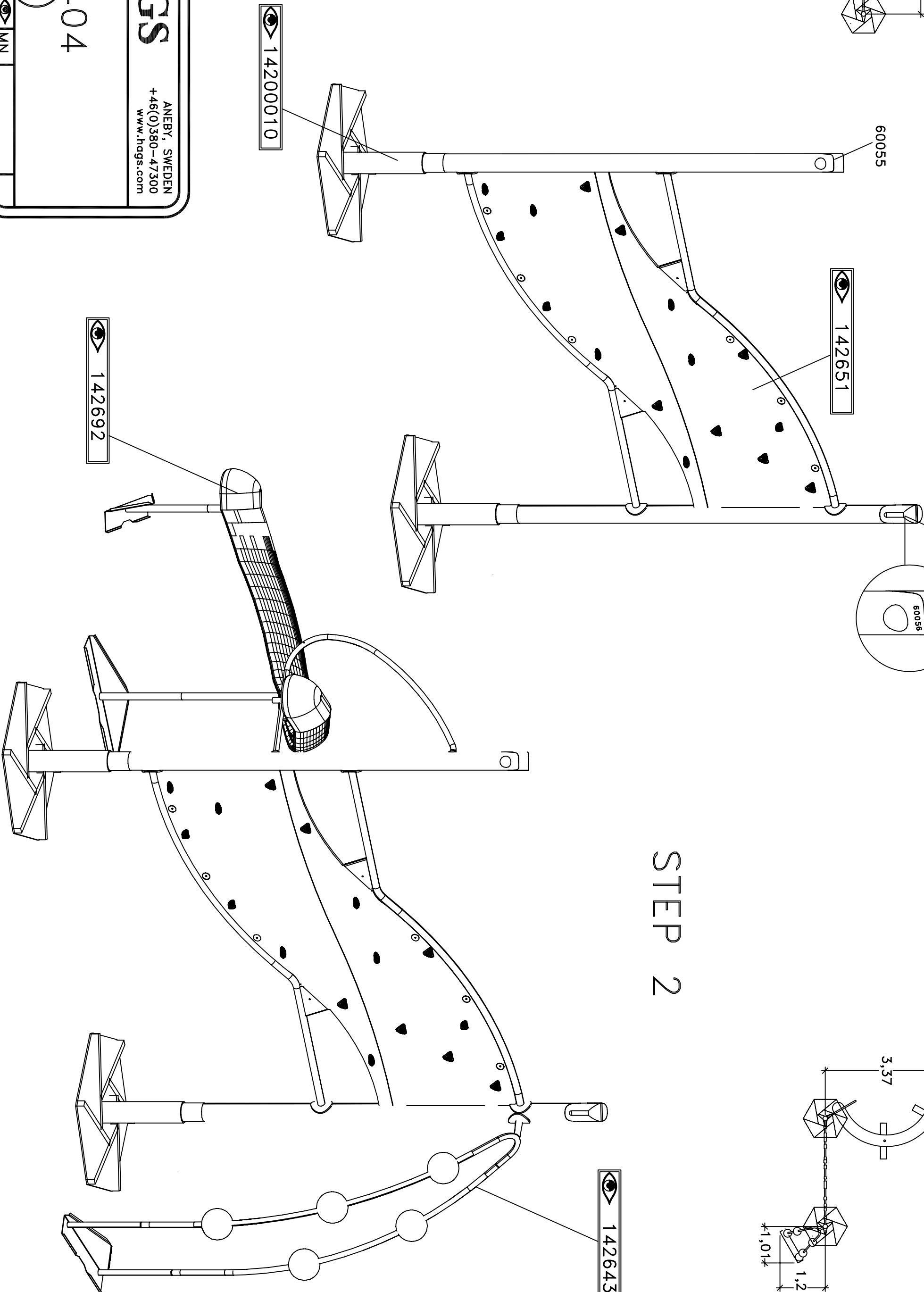
142692

# STEP 2

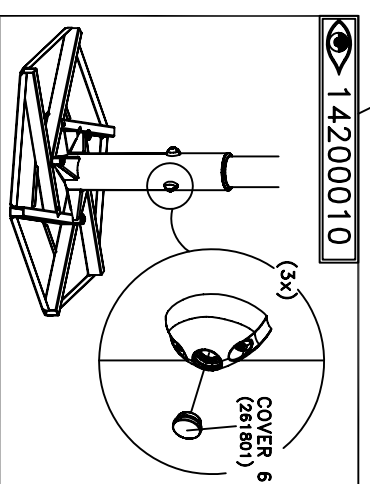
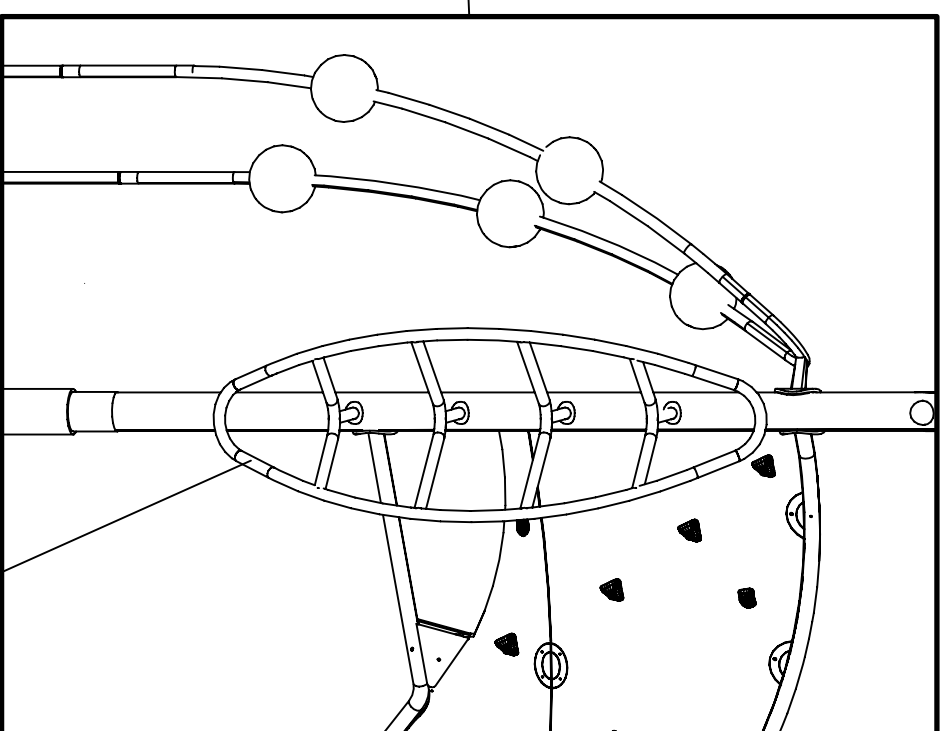
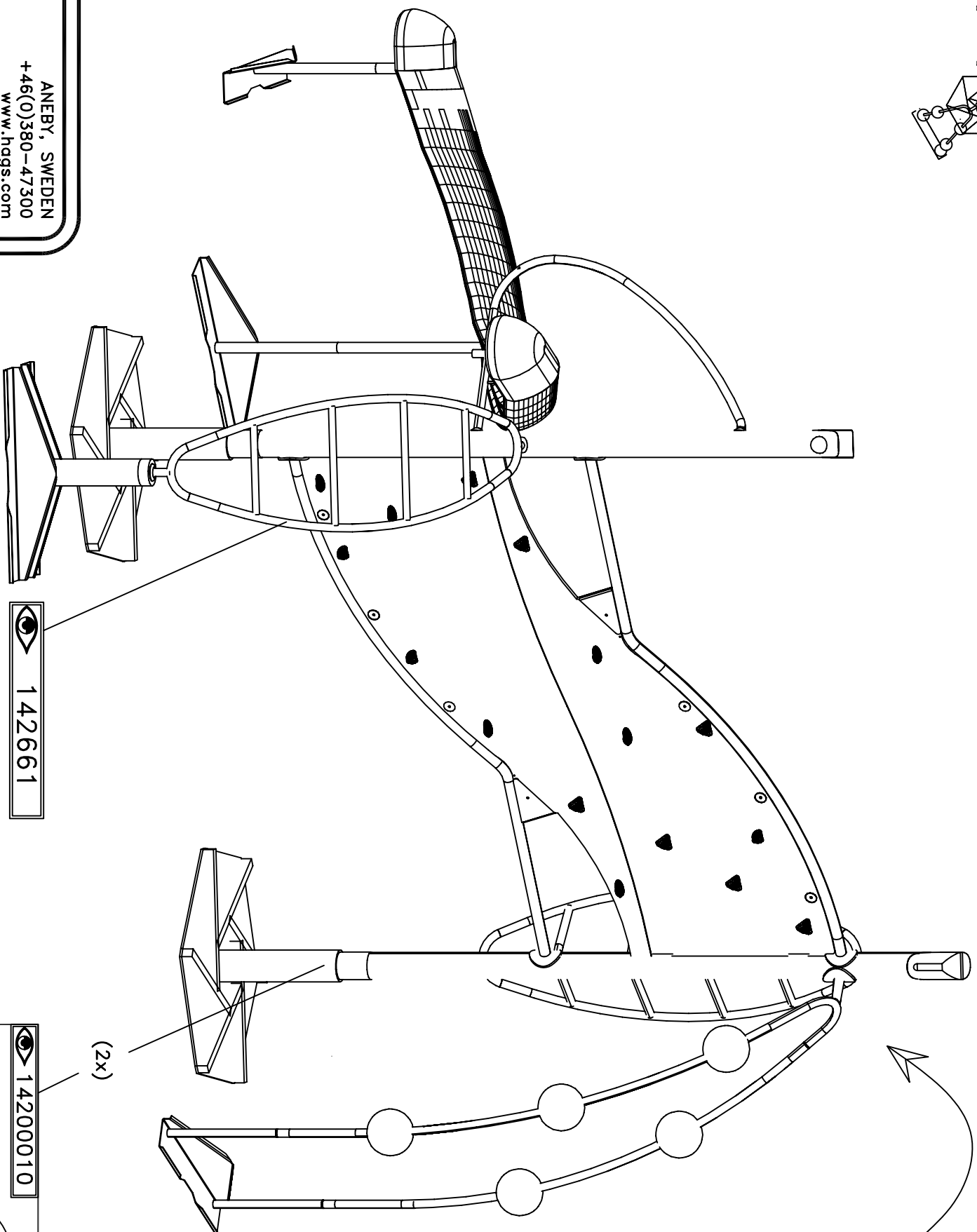
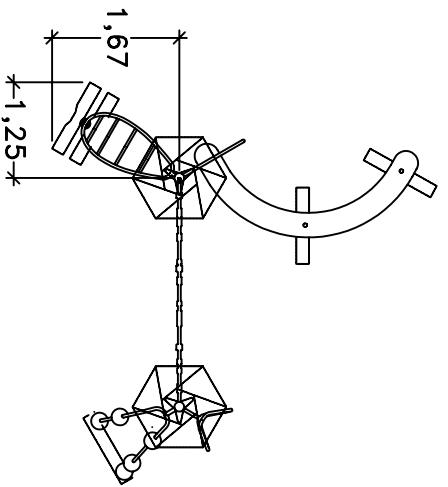


142643

<b>HAGS</b>		ANEBY, SWEDEN	
Joz		+46(0)380-47300	
144404		www.hags.com	
III(IV)			
UD	MN		



# STEP 3

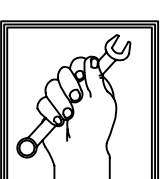


**HAGS**  
ANEBY, SWEDEN  
+46(0)380-47300  
www.hags.com

Joz  
144404  
IV(IV)

UD MN

# STEP 4



1 Månad  
1 Month  
1 Monat  
1 Mois